



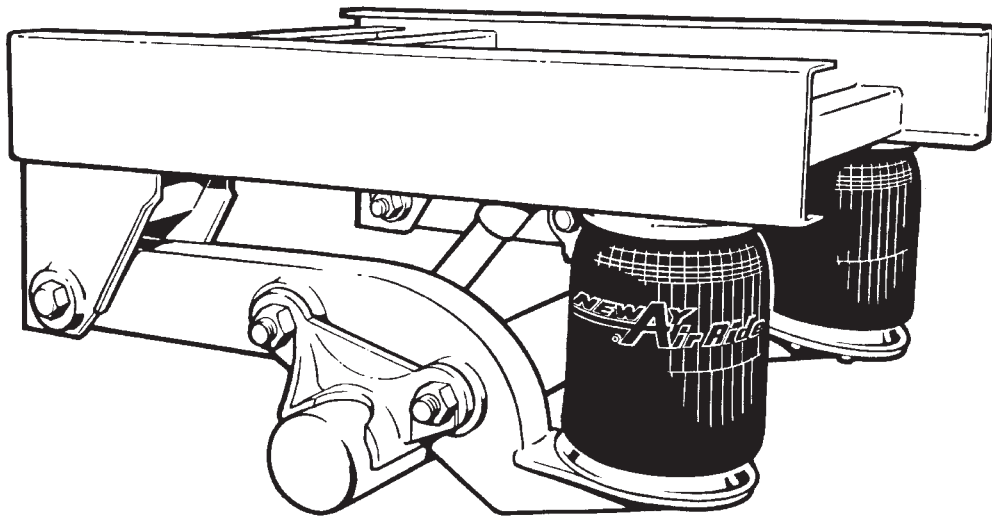
RL SERIES

AFTERMARKET PARTS LIST



RL-228, -230, -250 & -300 Series

Suspension Model Identification, Service
Repair Kits (SRKs) and Parts List Information



RL-250 SUSPENSION SHOWN

*For Maintenance Information, refer to
Maintenance Manual (Part No. XL-AR406-01).*

SERIAL NUMBER TAG INFORMATION

Model Identification

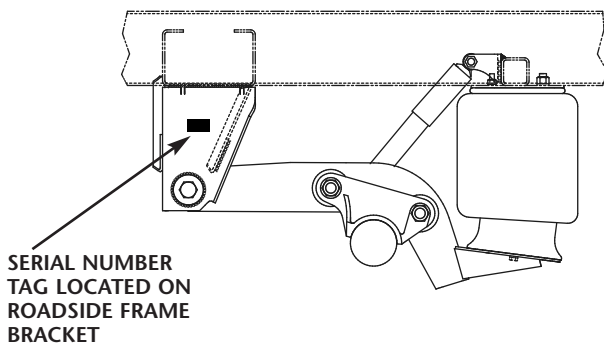
The RL Series Suspension Serial Tag is normally located on the roadside frame bracket (**FIGURE 1**).

NOTE: This manual applies to the suspension series or the models listed on the front cover. However, we urge you to determine your specific model number, write that information below and refer to it when obtaining information or replacement parts.

NOTE: Refer to the serial number tag attached to the frame bracket for information.

Model Number _____
 Parts List Number _____
 Serial Number _____
 In Service Date _____

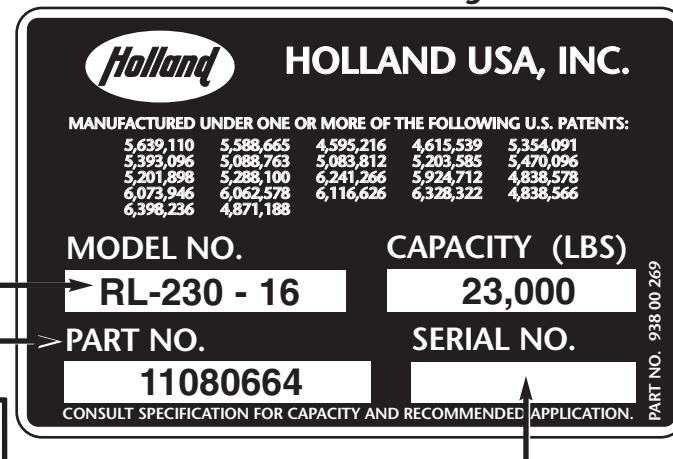
FIGURE 1 Serial Number Tag Location



Model Nomenclature

The sample tag shown below will help you interpret the information on the Holland USA, Inc. serial number tag. The model number is on the first line along with the suspension capacity. The second line contains the parts list number and serial number (**FIGURE 2**).

FIGURE 2 Serial Number Tag



RL-230 - 16 -

Special Features

- HMS - Hanger Mounted Shocks
- SBF - Shock Below Frame
- SS - Single Stud Air Spring
- OFS - Offset Stud Air Spring

Ride Height

- 12" (305mm)
- 13" (330mm)
- 14" (356mm)
- 15" (381mm)
- 16" (406mm)
- 17" (432mm)

**Axle Capacity
 Suspension Series**

- 22,500 Tandem
- 23,000 Tandem
- 25,000 Tandem
- 30,000 Tandem

NOTE: Some models have an additional designation after the ride height.

Example: RL-230-16-HMS

continued

SERIAL NUMBER TAG INFORMATION *continued*

Model Nomenclature *continued*

To correctly identify the model requiring replacement parts, check the serial tag for any special feature designations (in **bold** below, also **FIGURE 3**). Identify suspension characteristics by breaking down each part number as shown in the examples below:

Example 1:

- RL-230-17-3-**SS** - 230 = 23,000 lbs. axle capacity
- 17 = 17" ride height
- 3" = axle travel
- **SS** = Single stud air spring (see page 16.)

Example 2:

- RL-230-15-4-**HMS** - 230 = 23,000 lbs. axle capacity
- 15 = 15" ride height
- 4" = axle travel
- **HMS** = Hanger Mounted Shock
(only available with models having 4" of axle travel (see page 14.)

Example 3:

- RL-250-17-3-**SBF** - 250 = 25,000 lbs. axle capacity
- 17 = 17" ride height
- 3" = axle travel
- **SBF** = Shock Below Frame (see page 22.)

Example 4:

- RL-300-15-**OFS** - 300 = 30,000 lbs. axle capacity
- 15 = 15" ride height
- **OFS** = Offset Stud Air Spring (see pg 26.)

HOW TO IDENTIFY YOUR SUSPENSION MODEL

When ordering replacement parts, it is important to identify the correct suspension model by noting any special feature designation. Refer to special feature designation at the end of the model number below the serial number tag on page 2.

If the serial number tag is missing, suspension model verification can be achieved by noting the characteristics of each suspension series.

Identifying an RL-228 Series: The equalizing beam has a distinctive shape at the air spring mounting plate area at the rear of the beam (see **FIGURE 3** at right and page 8).

Identifying an RL-230 Series: The equalizing beam has a distinctive shape at the air spring mounting plate area at the rear of the beam (see **FIGURE 3** at right and page 10).

Identifying an RL-250 Series: Due to many variations within the RL Series family, closer inspection may be required to determine which model you have. The RL-250 standard suspension is shown below in **FIGURE 3** and on page 20). If closer examination is required, check the shock absorber part number, which will be located at the base of the shock or on the dust shield, to assist in determining the ride height.

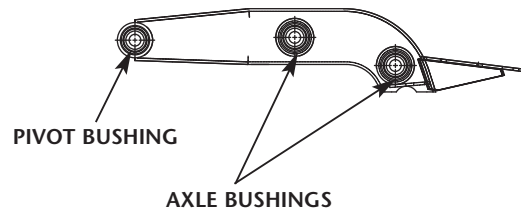
Identifying an RL-300 Series: Due to many variations and close resemblance to the RL-250 Series suspension, the RL-300 Series suspension requires closer examination by checking the shock absorber part number, which will be located at the base of the shock or on the dust shield, to assist in determining the ride height.

To correctly identify your specific model requiring replacement parts, proceed (1) by identifying the style of equalizing beam (**FIGURE 3**), and (2) by identifying the shock's mounting orientation and part number.

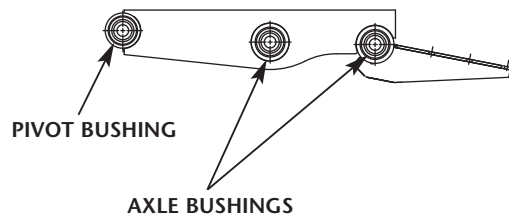
FIGURE 3

Equalizing Beam Styles

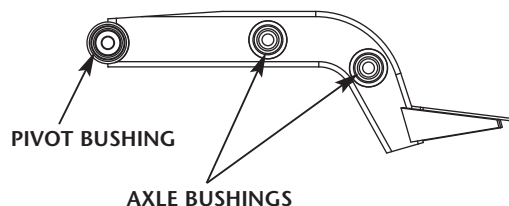
RL-228



RL-230



RL-250/300



continued

HOW TO IDENTIFY YOUR SUSPENSION MODEL *continued*

Determining Ride Height

After the model has been determined, (1) check the shock part number to help determine the appropriate table of the possible ride heights, and (2) select the correct column to order the replacement parts.

RL-228 Series:

Model 228 Standard, pages 10 and 11.

RL-230 Series:

Model 230 Standard, pages 12 and 13.

Model 230 Hanger Mounted Shock, pages 14 and 15.

Model 230 Single Stud Air Spring, pages 16 and 17.

Model 230 Single Stud Air Spring, Hanger Mounted Shock pages 18 and 19.

RL-250 Series:

Model 250 Standard, pages 20 and 21.

Model 250 Shock Below Frame, pages 22 and 23.

RL-300 Series:

Model 300 Standard, pages 24 and 25.

Model 300 Offset Stud Air Spring, pages 26 and 27.

Model 300 Shock Below Frame, pages 28 and 29.

SERVICE REPAIR KITS (SRK)

Common Replacement Parts Come in Service Repair Kits (SRKs)

To simplify ordering the correct replacement parts, Service Repair Kits were formed to offer you proper components having correct quantities, making maintenance easier by doing tasks correctly the first time.

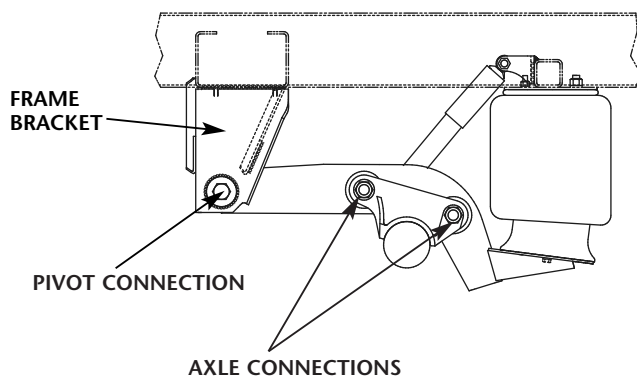
The RL Series suspension provides Service Repair Kits (SRK's) for the replacement of pivot/axle connections (**FIGURE 4**).

IMPORTANT: For easier field replacement of RL Series frame brackets the EZ-Align (non-welded) style frame bracket **must** be used to replace a welded alignment style frame bracket. Kit includes all pivot connection components, except the pivot bushings.

IMPORTANT: Check the head of the pivot bolt. Bolts have **1051**, **1055** or **1069** on the bolt head, reducing the number of possible kits associated with your type of bolt (see *Pivot and Axle Connection Service Repair Kit Charts* on page 5).

FIGURE 4

Pivot and Axle Connections



Pivot and Axle Connection Rubber Bushings

IMPORTANT: When replacing the rubber bushings at these connections be sure the proper Holland SRK (Service Repair Kit) is used. Except for SRK-233 (where two kits are required), they contain all necessary parts to service one axle. It may be advantageous to service both pivot and axle connections at the same time. (See *Pivot and Axle Connection Service Repair Kit Charts* on pages 5 - 7.)

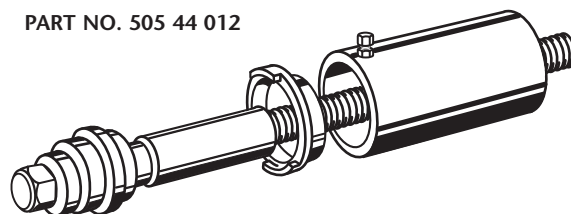
NOTE: The Holland Bushing Service Tool, Part No. 505 44 012 (**FIGURE 5**), is available to ease removal and replacement of bushings. Contact your Holland distributor or Parts List for details.

IMPORTANT: It is recommended that the vehicle be unloaded before beginning service procedures.

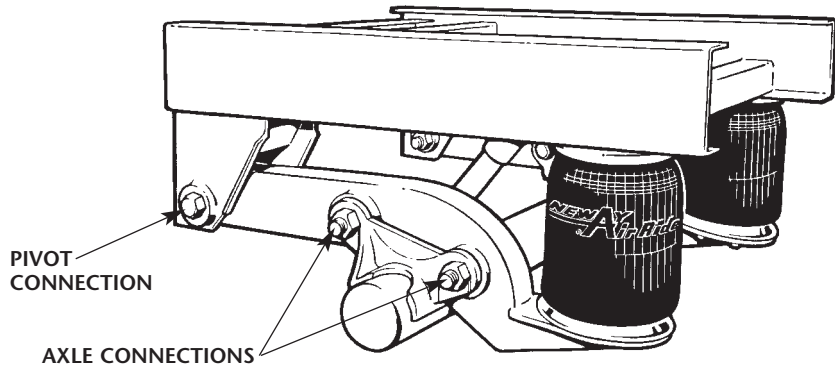
FIGURE 5

Bushing Service Tool

PART NO. 505 44 012



SERVICE REPAIR KITS (SRK)



RL-250 SUSPENSION SHOWN

When servicing your RL Series suspension, use the convenient service repair kits noted below; for kit contents, see pages 6 and 7.

Descriptions are found below and below the parts list for each suspension.

PIVOT AND AXLE CONNECTION SERVICE REPAIR KIT CHART

Model 228 or 230 Pivot Connection — EZ and Welded Alignments

Bolt Type 1055 / 1069	Description	SRK	Holland Part No.
1055	2 Welded Alignment	SRK-203	481 00 264
1055	1 EZ-Alignment / 1 Welded Alignment	SRK-520	481 00 384
	2 EZ-Alignment	SRK-521	481 00 385
1069	1 EZ-Alignment / 1 Welded Alignment	SRK-525	481 00 389
1069	2 Welded Alignment	SRK-456	481 00 319

Model 228 or 230 Axle Connection — 2-Piece Adapter

Bolt Type	Description	SRK	Holland Part No.
1051	2-Piece Adapter	SRK-265	481 00 328
1051	1-Piece Adapter	SRK-149	481 00 206

Model 250 Pivot Connection — EZ and Welded Alignments

Bolt Type 1055 / 1069	Description	SRK	Holland Part No.
1069	2 Welded Alignment	SRK-524	481 00 388
1069	1 EZ-Alignment / 1 Welded Alignment	SRK-519	481 00 383
	2 EZ-Alignment	SRK-522	481 00 386
1055	1 EZ-Alignment / 1 Welded Alignment	SRK-523	481 00 387

Model 250 Axle Connection — 1- and 2-Piece Adapters

Bolt Type	Description	SRK	Holland Part No.
1051	1-Piece Adapter	SRK-149	481 00 206
1051	2-Piece Adapter	SRK-265	481 00 328

Model 300 Pivot Connection — Welded Alignments

Bolt Type 1055 / 1069	Description	SRK	Holland Part No.
1069	2 Welded Alignment	SRK-524	481 00 388

Model 300 Axle Connection — 1-Piece Adapter

Bolt Type	Description	SRK	Holland Part No.
1051	1-Piece Adapter	SRK-149	481 00 206

NOTE: Bushing connection kits and frame bracket replacement kits should be purchased as SRKs listed here (detailed component listings are on pages 6 - 9).

SERVICE REPAIR KITS (SRK) *continued*

PIVOT AND AXLE CONNECTION REPLACEMENT KIT CHARTS

IMPORTANT: Welded Alignment frame brackets **must** be replaced with EZ-Align (non-welded) frame brackets.

SRK-149 - Axle 481 00 206

DESCRIPTION	PART NO.	QTY
Bolt Hex 1.125"-7 x 8.5" GR 8	932 01 051	4
Nut Hex Lock 1.125"-7 GR C	934 00 506	4
Bushing	900 08 149	4
Washer Spacer	900 36 175	8
Washer Flat 1.141"	900 36 177	8
Literature Instruction	941 00 509	1

SRK-203 - Pivot 481 00 264

DESCRIPTION	PART NO.	QTY
Bolt Hex 1.125"-7 x 9.5" GR 8	932 01 055	2
Nut Hex Lock 1.125"-7 GR C	934 00 506	2
Bushing	900 08 149	2
Washer Flat 1.141"	900 36 177	4

SRK-265 - Axle 481 00 328

DESCRIPTION	PART NO.	QTY
Bolt Hex 1.125"-7 x 8.5" GR 8	932 01 051	4
Nut Hex Lock 1.125"-7 GR C	934 00 506	4
Bushing	900 08 149	4
Washer	900 36 217	8

SRK-456 - Pivot 481 00 319

DESCRIPTION	PART NO.	QTY
Bolt Hex 1.12"-7 x 8.5" GR 8	932 01 069	2
Nut Hex Lock 1.125"-7 GR C	934 00 506	2
Bushing	900 08 149	2
Washer Flat 1.141"	900 36 177	4
Alignment Bushing	900 08 198	4
Welded Axle Alignment Ins; EZ-Align Axle Alignment Ins.	XL-AR354-01	1
Decal, Torque Specification	XL-AR355-02	1

SRK-519 - Pivot 481 00 383

DESCRIPTION	PART NO.	QTY
Bolt Hex 1.12"-7 x 8.5" GR 8	932 01 069	1
Nut Hex Lock 1.125"-7 GR C	934 00 506	2
Bushing	900 08 139	2
Washer Flat 1.141"	900 36 177	4
Alignment Block	905 08 019	1
Alignment Block Non Weld	900 08 238	1
Welded Axle Alignment Ins; EZ-Align Axle Alignment Ins.	XL-AR354-01	1
Decal, Torque Specification	XL-AR355-02	1

SRK-520 - Pivot 481 00 384

DESCRIPTION	PART NO.	QTY
Bolt Hex 1.125"-7 x 9.5" GR 8	932 01 055	1
Nut Hex Lock 1.125"-7 GR C	934 00 506	2
Bushing	900 08 149	2
Washer Flat 1.141"	900 36 177	4
Alignment Block	905 08 019	1
Alignment Block Non Weld	900 08 238	1
Welded Axle Alignment Ins; EZ-Align Axle Alignment Ins.	XL-AR354-01	1
Decal, Torque Specification	XL-AR355-02	1

SRK-521 - Pivot 481 00 385

DESCRIPTION	PART NO.	QTY
Bushing	900 08 149	2
Washer Flat 1.141"	900 36 177	4
Alignment Block	905 08 019	2
Alignment Block Non Weld	900 08 238	2
Nut Hex Lock 1.125"-7 GR C	934 00 506	2
Welded Axle Alignment Ins; EZ-Align Axle Alignment Ins.	XL-AR354-01	1
Decal, Torque Specification	XL-AR355-02	1

SRK-522 - Pivot 481 00 386

DESCRIPTION	PART NO.	QTY
Bushing	900 08 139	2
Washer Flat 1.141"	900 36 177	4
Alignment Block	905 08 019	2
Alignment Block Non Weld	900 08 238	2
Nut Hex Lock 1.125"-7 GR C	934 00 506	2
Welded Axle Alignment Ins; EZ-Align Axle Alignment Ins.	XL-AR354-01	1
Decal, Torque Specification	XL-AR355-02	1

SRK-523 - Pivot 481 00 387

DESCRIPTION	PART NO.	QTY
Bushing	900 08 139	2
Washer Flat 1.141"	900 36 177	4
Alignment Block	905 08 019	1
Alignment Block Non Weld	900 08 238	1
Nut Hex Lock 1.125"-7 GR C	934 00 506	2
Bolt Hex 1.125"-7 x 9.5" GR 8	932 01 055	1
Welded Axle Alignment Ins; EZ-Align Axle Alignment Ins.	XL-AR354-01	1
Decal, Torque Specification	XL-AR355-02	1

SRK-524 - Pivot 481 00 388

DESCRIPTION	PART NO.	QTY
Bushing	900 08 139	2
Washer Flat 1.141"	900 36 177	4
Bolt Hex 1.12"-7 x 8.5" GR 8	932 01 069	2
Nut Hex Lock 1.125"-7 GR C	934 00 506	2
Welded Axle Alignment Ins; EZ-Align Axle Alignment Ins.	XL-AR354-01	1
Decal, Torque Specification	XL-AR355-02	1

SERVICE REPAIR KITS (SRK) *continued*

PIVOT AND AXLE CONNECTION REPLACEMENT KIT CHARTS *continued*

IMPORTANT: Welded Alignment frame brackets **must** be replaced with EZ-Align (non-welded) frame brackets.

SRK-525 - Pivot

481 00 389

DESCRIPTION	PART NO.	QTY
Bolt Hex 1.125"-7 x 8.5" GR 8	932 01 069	1
Nut Hex Lock 1.125"-7 GR C	934 00 506	2
Bushing	900 08 149	2
Washer Flat 1.141"	900 36 177	4
Alignment Block	905 08 019	1
Alignment Block Non Weld	900 08 238	1
Welded Axle Alignment Ins; EZ-Align Axle Alignment Ins.	XL-AR354-01	1
Decal, Torque Specification	XL-AR355-02	1

RL-228 PIVOT AND AXLE CONNECTION REPLACEMENT KIT CHARTS

SRK-203 - Pivot

481 00 264

DESCRIPTION	PART NO.	QTY
Bolt Hex 1.125"-7 x 9.5" GR 8	932 01 055	2
Nut Hex Lock 1.125"-7 GR C	934 00 506	2
Bushing	900 08 149	2
Washer Flat 1.141"	900 36 177	4

SRK-227 - Pivot

481 00 289

DESCRIPTION	PART NO.	QTY
Bolt Hex 1.125"-7 x 9.53" GR 8	932 01 057	1
Nut Hex Lock 1.125"-7 GR C	934 00 506	2
Bushing	900 08 149	2
Washer Flat 1.141"	900 36 177	4
Alignment Block	905 08 009	1
Alignment Block Non Weld	900 08 186	1
Literature Form 1008	941 00 787	1

SRK-229 - Axle

481 00 291

DESCRIPTION	PART NO.	QTY
Bolt Hex 1.125"-7 x 8.5" GR 8	932 01 051	2
Nut Hex Lock 1.125"-7 GR C	934 00 506	2
Washer Flat 1.141"	900 36 177	4
Adapter, Axle, LH	905 01 329	1
Adapter, Axle, RH	900 01 340	1
Literature Specifications NS 65 85	941 00 688	1

SRK-230 - Axle

481 00 292

DESCRIPTION	PART NO.	QTY
Bolt Hex 1.125"-7 x 8.5" GR 8	932 01 051	2
Nut Hex Lock 1.125"-7 GR C	934 00 506	2
Washer Flat 1.141"	900 36 177	4
Adapter, Axle, RH	905 01 330	1
Adapter, Axle, LH	900 01 341	1
Literature Specifications NS 65 85	941 00 688	1

SRK-233 - Pivot

481 00 295

DESCRIPTION	PART NO.	QTY
Nut Hex Lock 1.125"-7 GR C	934 00 506	1
Bushing	900 08 149	1
Washer Flat 1.141"	900 36 177	2
Alignment Block	905 08 009	1
Alignment Block Non Weld	900 08 186	1

SRK-266 - Pivot

481 00 329

DESCRIPTION	PART NO.	QTY
Bolt Hex 1.125"-7 x 8.5" GR 8	932 01 069	1
Nut Hex Lock 1.125"-7 GR C	934 00 506	2
Bushing	900 08 149	2
Washer Flat 1.141"	900 36 177	4
Alignment Block	905 08 019	1
Alignment Block Non Weld	900 08 238	1
Alignment Bushing	900 08198	2

SERVICE REPAIR KITS (SRK) *continued*

FRAME BRACKET REPLACEMENT KIT CHARTS

IMPORTANT: Welded Alignment frame brackets **must** be replaced with EZ-Align (non-welded) frame brackets.

RL-230-12 SRK-543 481 00 407

DESCRIPTION	PART NO.	QTY
Frame Bracket Assy EZ-Align	905 20 859	1
Alignment Block Assy	905 08 019	1
Nut Hex 1.125"-7	934 00 506	1
Washer	900 36 177	2
Alignment Block	900 08 238	1
Angle Brace	900 25 157	2

RL-230-14 SRK-544 481 00 408

DESCRIPTION	PART NO.	QTY
Frame Bracket Assy EZ-Align	905 21 147	1
Alignment Block Assy	905 08 019	1
Nut Hex 1.125"-7	934 00 506	1
Washer	900 36 177	2
Alignment Block	900 08 238	1
Angle Brace	900 25 157	2

RL-230-15 SRK-545 481 00 409

DESCRIPTION	PART NO.	QTY
Frame Bracket Assy EZ-Align	905 21 148	1
Alignment Block Assy	905 08 019	1
Nut Hex 1.125"-7	934 00 506	1
Washer	900 36 177	2
Alignment Block	900 08 238	1
Angle Brace	900 25 157	2

RL-230-16, -17 SRK-546 481 00 410

DESCRIPTION	PART NO.	QTY
Frame Bracket Assy EZ-Align	905 21 149	1
Alignment Block Assy	905 08 019	1
Nut Hex 1.125"-7	934 00 506	1
Washer	900 36 177	2
Alignment Block	900 08 238	1
Angle Brace	900 23 002	2

RL-230-14-HMS SRK-547 481 00 411

DESCRIPTION	PART NO.	QTY
Frame Bracket Assy EZ-Align, roadside	905 21 325	1
Alignment Block Assy	905 08 019	1
Nut Hex 1.125"-7	934 00 506	1
Washer	900 36 177	2
Alignment Block	900 08 238	1
Angle Brace	900 25 157	1

RL-230-14-HMS SRK-548 481 00 412

DESCRIPTION	PART NO.	QTY
Frame Bracket Assy EZ-Align, curbside	905 21 326	1
Alignment Block Assy	905 08 019	1
Nut Hex 1.125"-7	934 00 506	1
Washer	900 36 177	2
Alignment Block	900 08 238	1
Angle Brace	900 25 157	1

RL-230-15 SRK-549 481 00 413

DESCRIPTION	PART NO.	QTY
Frame Bracket Assy EZ-Align, roadside	905 21 327	1
Alignment Block Assy	905 08 019	1
Nut Hex 1.125"-7	934 00 506	1
Washer	900 36 177	2
Alignment Block	900 08 238	1
Angle Brace	900 25 157	1

RL-230-15-HMS SRK-550 481 00 414

DESCRIPTION	PART NO.	QTY
Frame Bracket Assy EZ-Align, curbside	905 21 328	1
Alignment Block Assy	905 08 019	1
Nut Hex 1.125"-7	934 00 506	1
Washer	900 36 177	2
Alignment Block	900 08 238	1
Angle Brace	900 25 157	1

RL-230-16, -17, -HMS SRK-551 481 00 415

DESCRIPTION	PART NO.	QTY
Frame Bracket Assy EZ-Align, roadside	905 21 377	1
Alignment Block Assy	905 08 019	1
Nut Hex 1.125"-7	934 00 506	1
Washer	900 36 177	2
Alignment Block	900 08 238	1
Angle Brace	900 25 157	1

RL-230-16, -17, -HMS SRK-552 481 00 416

DESCRIPTION	PART NO.	QTY
Frame Bracket Assy EZ-Align, curbside	905 21 378	1
Alignment Block Assy	905 08 019	1
Nut Hex 1.125"-7	934 00 506	1
Washer	900 36 177	2
Alignment Block	900 08 238	1
Angle Brace	900 23 002	1

SERVICE REPAIR KITS (SRK) *continued*

FRAME BRACKET REPLACEMENT KIT CHARTS

IMPORTANT: Welded Alignment frame brackets **must** be replaced with EZ-Align (non-welded) frame brackets.

RL-250-14, -15 SRK-553 481 00 417

DESCRIPTION	PART NO.	QTY
Frame Bracket Assy EZ-Align	905 21 151	1
Alignment Block Assy	905 08 019	1
Nut Hex 1.125"-7	934 00 506	1
Washer	900 36 177	2
Alignment Block	900 08 238	1
Angle Brace	900 23 002	2

RL-250-16, -17 SRK-554 481 00 418

DESCRIPTION	PART NO.	QTY
Frame Bracket Assy EZ-Align	905 21 152	1
Alignment Block Assy	905 08 019	1
Nut Hex 1.125"-7	934 00 506	1
Washer	900 36 177	2
Alignment Block	900 08 238	1
Angle Brace	900 23 001	2

RL-300-12, -13 SRK-555 481 00 419

DESCRIPTION	PART NO.	QTY
Frame Bracket Assy Welded Alignment	905 20 383	1
Alignment Block	900 08 147	2
Nut Hex 1.125"-7	934 00 506	1
Washer	900 36 177	2
Angle Brace	900 25 157	2
Pivot Bolt 1.125"-7	932 01 069	1

RL-300-14 SRK-556 481 00 420

DESCRIPTION	PART NO.	QTY
Frame Bracket Assy Welded Alignment	905 21 144	1
Alignment Block	900 08 198	2
Nut Hex 1.125"-7	934 00 506	1
Washer	900 36 177	2
Angle Brace	900 23 002	2
Pivot Bolt 1.125"-7	932 01 069	1

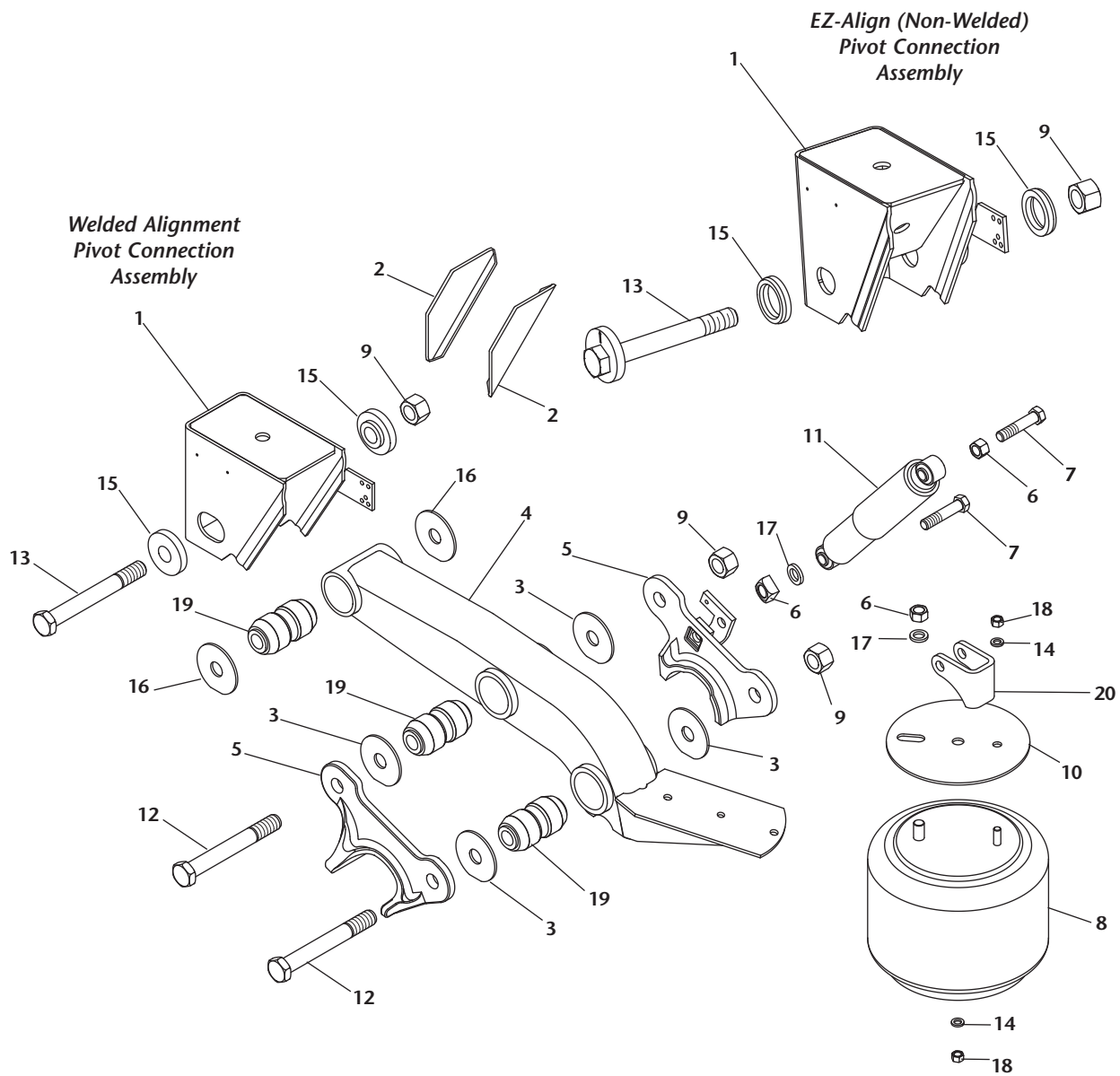
RL-300-15 SRK-557 481 00 421

DESCRIPTION	PART NO.	QTY
Frame Bracket Assy Welded Alignment	905 21 145	1
Alignment Block	900 08 198	2
Nut Hex 1.125"-7	934 00 506	1
Washer	900 36 177	2
Angle Brace	900 23 002	2
Pivot Bolt 1.125"-7	932 01 069	1

RL-300-16, -17 SRK-558 481 00 422

DESCRIPTION	PART NO.	QTY
Frame Bracket Assy EZ-Align Welded Alignment	905 21 146	1
Alignment Block	905 08 198	2
Nut Hex 1.125"-7	934 00 506	1
Washer	900 36 177	2
Angle Brace	900 23 001	2
Pivot Bolt 1.125"-7	932 01 069	1

RL-228 STANDARD SUSPENSION EXPLODED VIEW



RL-228 STANDARD SUSPENSION PARTS LIST

Suspension Components - Standard Suspension

ITEM NO.	DESCRIPTION	NON-LIFTABLE RL-228-12-3	NON-LIFTABLE RL-228-14-3	LIFTABLE RL-228-14-4	LIFTABLE RL-228-15-3	LIFTABLE RL-228-16-3	LIFTABLE RL-228-17-3	QTY.
1	Frame Bracket (roadside - EZ-Align)	-	90521147	90521147	90521148	90521149	90521149	1
	Frame Bracket (roadside - Welded Alignment)	90520846	90521141*	90521141*	90521142*	90521143*	90521143*	1
	Frame Bracket (curbside - EZ-Align)	-	90521147	90521147	90521148	90521149	90521149	1
	Frame Bracket (curbside - Welded Alignment)	90520846	90521141*	90521141*	90521142*	90521143*	90521143*	1
2	Angle Brace	90025257	90025257	90025157	90023002	90023002	90023002	4
3	1-1/8" Spacer Washer @ Pivot	90036177	90036177	90036177	90036177	90036177	90036177	8
4	Equalizing Beam (roadside)	90516566	90516566	90516654	90516566	90516566	90516566	1
	Equalizing Beam (curbside)	90516567	90516567	90516655	90516567	90516567	90516567	1
5	Axle Adapter (roadside - outboard)	90001340	90001340	90001340	90001340	90001340	90001340	1
	Axle Adapter (roadside - inboard)	90501462	90501462	90501462	90501462	90501462	90501462	1
	Axle Adapter (curbside - outboard)	90001341	90001341	90001341	90001341	90001341	90001341	1
	Axle Adapter (curbside - inboard)	90501463	90501463	90501463	90501463	90501463	90501463	1
6	3/4"-10 Hex Nut (top of air spring)	93400149	93400149	93400149	93400149	93400149	93400149	2
	3/4"-10 Hex Nut (lower shock lock nut)	93400492	93400492	93400492	93400492	93400492	93400492	2
	3/4"-10 Square Nut (for lower shock bolt)	93400367	93400367	93400367	93400367	93400367	93400367	2
7	3/4"-10x3 1/2" Bolt (for upper shock bolt)	93003597	93003597	93003597	93003597	93003597	93003597	2
	3/4"-10x4" Bolt (for lower shock bolt)	93003609	93003609	93003609	93003609	93003609	93003609	2
8	Air Spring	90557223	90557156	90557156	90557156	90557156	90557157	2
9	1-1/8" Lock Nut	93400506	93400506	93400506	93400506	93400506	93400506	6
10	Air Spring Mtg Plate (ASMP)	90033785	90033785	90033785	90033785	90033785	90033785	2
	Upper ASMP & shk Brkt (roadside) SS	-	-	-	90531245	90531245	90531245	1
	Upper ASMP & shk Brkt (curbside) SS	-	-	-	90531246	90531246	90531246	1
11	Shock Absorber	90044162	90044642	90044642	90044642	90044642	90044089	2
12	1-1/8" Bolt	93201051	93201051	93201051	93201051	93201051	93201051	4
13	1-1/8" Pivot Bolt (Welded Alignment)	93201055	93201069	93201069	93201069	93201069	93201069	†
	1-1/8" Pivot Bolt (EZ-Align)	-	90508019	90508019	90508019	90508019	90508019	†
14	1/2" Washer	93600072	93600072	93600072	93600072	93600072	93600072	4
15	Alignment Block (Welded Alignment)	90008147	90008198	90008198	90008198	90008198	90008198	†
	Alignment Block (EZ-Align)	-	90008238	90008238	90008238	90008238	90008238	†
16	Washer, 1.14" dia. @ Axle	90036217	90036217	90036217	90036217	90036217	90036217	4
17	3/4" Washer	93600077	93600077	93600077	93600077	93600077	93600077	4
18	1/2"-13 Nut	93400136	93400136	93400136	93400136	93400136	93400136	4
19**	Pivot and Axle Bushing	90008149	90008149	90008149	90008149	90008149	90008149	6
20	Upper Shock Bracket	90018515	90018515	90018515	90018515	90018515	90018515	2

* Replacement frame bracket assembly can be found in SRK kits: 544, 545, and 546 (page 6). When ordering frame brackets, it is recommended to order only EZ-Align replacement parts.

** Replacement components should be purchased in bushing connection SRK kits listed below.

† Contact Holland Customer Service at 888-396-6501.

Pivot Connection Kits

DESCRIPTION	SRK NO.	PART NO.	APPLICATION
2 Welded Adjustable	SRK-203	481 00 264	1 Kit Req. per Axle
1 Welded Adjustable, 1 EZ-Align	SRK-227	481 00 289	1 Kit Req. per Axle
1 EZ-Align	SRK-233	481 00 295	2 Kits Req. per Axle
1 EZ-Align, 1 Welded Alignment	SRK-266	481 00 329	1 Kit Req. per Axle
1 EZ-Align, 1 Welded Alignment	SRK-520	481 00 384	1 Kit Req. per Axle
2 EZ-Align	SRK-521	481 00 385	1 Kit Req. per Axle
1 EZ-Align, 1 Welded Alignment	SRK-525	481 00 389	1 Kit Req. per Axle

- If 900 08 147 alignment block is used, you must use 932 01 055 pivot bolt.
- If 900 08 198 alignment block is used, you must use 932 01 069 pivot bolt.
- Measure alignment block diameter: 3.125" = 900 08 147; measure alignment block diameter: 2.80" = 900 08 198.

See pages 6 and 7 for SRK components.

Axle Connection Kits

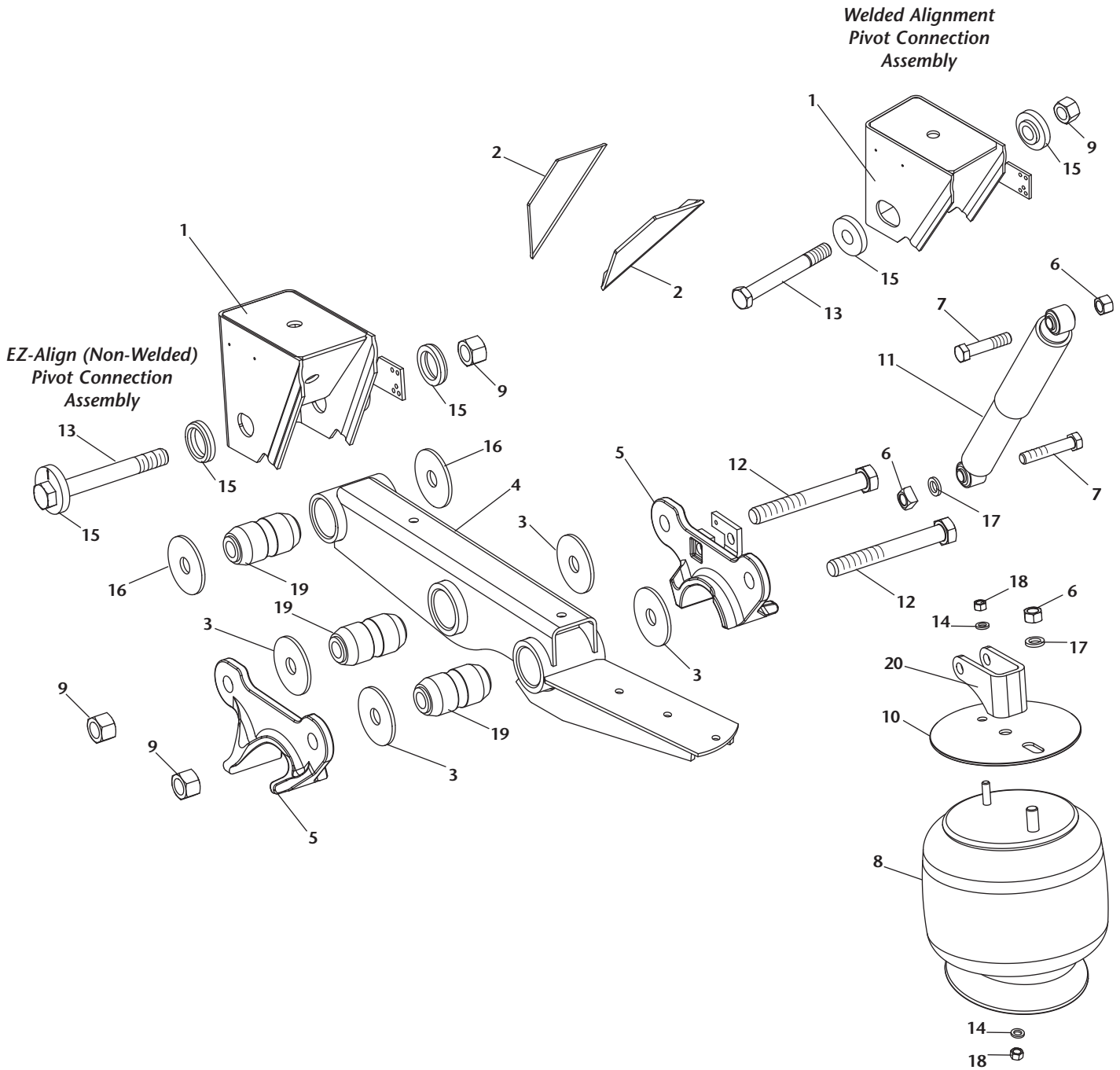
SRK NO.	PART NO.	APPLICATION
SRK-149*	481 00 206	1 Kit Req. per Axle
SRK-229~	481 00 291	2 Kits Req. per Axle
SRK-230§	481 00 292	2 Kits Req. per Axle

* 900 36 175 and 900 36 177 washers.

~ Replacement kit for 905 01 224 axle adapter assy with 1" shock bolts.

§ Replacement kit for 905 01 225 axle adapter assy with 1" shock bolts.

RL-230 STANDARD SUSPENSION EXPLODED VIEW



RL-230 STANDARD SUSPENSION PARTS LIST

Suspension Components - Standard Suspension

ITEM NO.	DESCRIPTION	RL-230-12-3	RL-230-14-3	RL-230-15-3	RL-230-16-3	RL-230-17-3	QTY.
1*	Frame Bracket (roadside - EZ-Align)	90520859	90521147	90521148	90521149	90521149	1
	Frame Bracket (Welded Alignment)	90520846	90521141	90521142	90521143	90521143	1
2	Angle Brace	90025157	90025157	90025157	90023002	90023002	4
3	1-1/8" Spacer Washer	90036217	90036217	90036217	90036217	90036217	8
4	Equalizing Beam (roadside)	90516999	90516999	90516999	90516999	90516999	1
	Equalizing Beam (curbside)	90517000	90517000	90517000	90517000	90517000	1
5	Axle Adapter (roadside-outboard)	90001340	90001340	90001340	90001340	90001340	1
	Axle Adapter (roadside-inboard)	90501462	90501462	90501462	90501462	90501462	1
5	Axle Adapter (curbside-outboard)	90001341	90001341	90001341	90001341	90001341	1
	Axle Adapter (curbside-inboard)	90501463	90501463	90501463	90501463	90501463	1
6	3/4"-10 Hex Nut (top of air spring)	93400149	93400149	93400149	93400149	93400149	2
	3/4"-10 Hex Nut (upper shock lock nut)	93400492	93400492	93400492	93400492	93400492	2
	3/4"-10 Square Nut (for lower shock bolt)	93400367	93400367	93400367	93400367	93400367	2
7	3/4"-10x3 1/2" Bolt	93003597	93003597	93003597	93003597	93003597	2
	3/4"-10x4" Bolt (lower shock bolt)	93003609	93003609	93003609	93003609	93003609	2
8	Air Spring	90557223	90557117	90557118	90557118	90557119	2
9	1-1/8" Lock Nut	93400506	93400506	93400506	93400506	93400506	6
10	Air Spring Mtg Plate (ASMP)	90033785	90033785	90033785	90033785	90033785	2
	Upper ASMP & shk Brkt (roadside)	-	90531320	90531320	90531320	-	1
	Upper ASMP & shk Brkt (curbside)	-	90531321	90531321	90531321	-	1
11	Shock Absorber	90045381	90044642	90044642	90044089	90044089	2
12	1-1/8" Bolt	93201051	93201051	93201051	93201051	93201051	4
13	1-1/8" Pivot Bolt (Welded Alignment)	93201055	93201069	93201069	93201069	93201069	1
	1-1/8" Pivot Bolt (EZ-Align)	90508019	90508019	90508019	90508019	90508019	1*
14	1/2" Lock Washer	93600072	93600072	93600072	93600072	93600072	4
15	Alignment Block (Welded Alignment)	90008147	90008198	90008198	90008198	90008198	2
	Alignment Block (EZ-Align)	90008238	90008238	90008238	90008238	90008238	1*
16	Pivot Washer, 1.14" dia.	93600177	93600177	93600177	93600177	93600177	4
17	3/4" Lock Washer	93600077	93600077	93600077	93600077	93600077	4
18	1/2"-13 Nut	93400136	93400136	93400136	93400136	93400136	4
19**	Pivot and Axle Bushing	90008149	90008149	90008149	90008149	90008149	6
20	Upper Shock Bracket	90018445	90018445	90018445	90018445	90018445	2

* If both frame brackets require EZ-Align, order 2.

** Replacement components should be purchased in bushing connection SRK kits listed below.

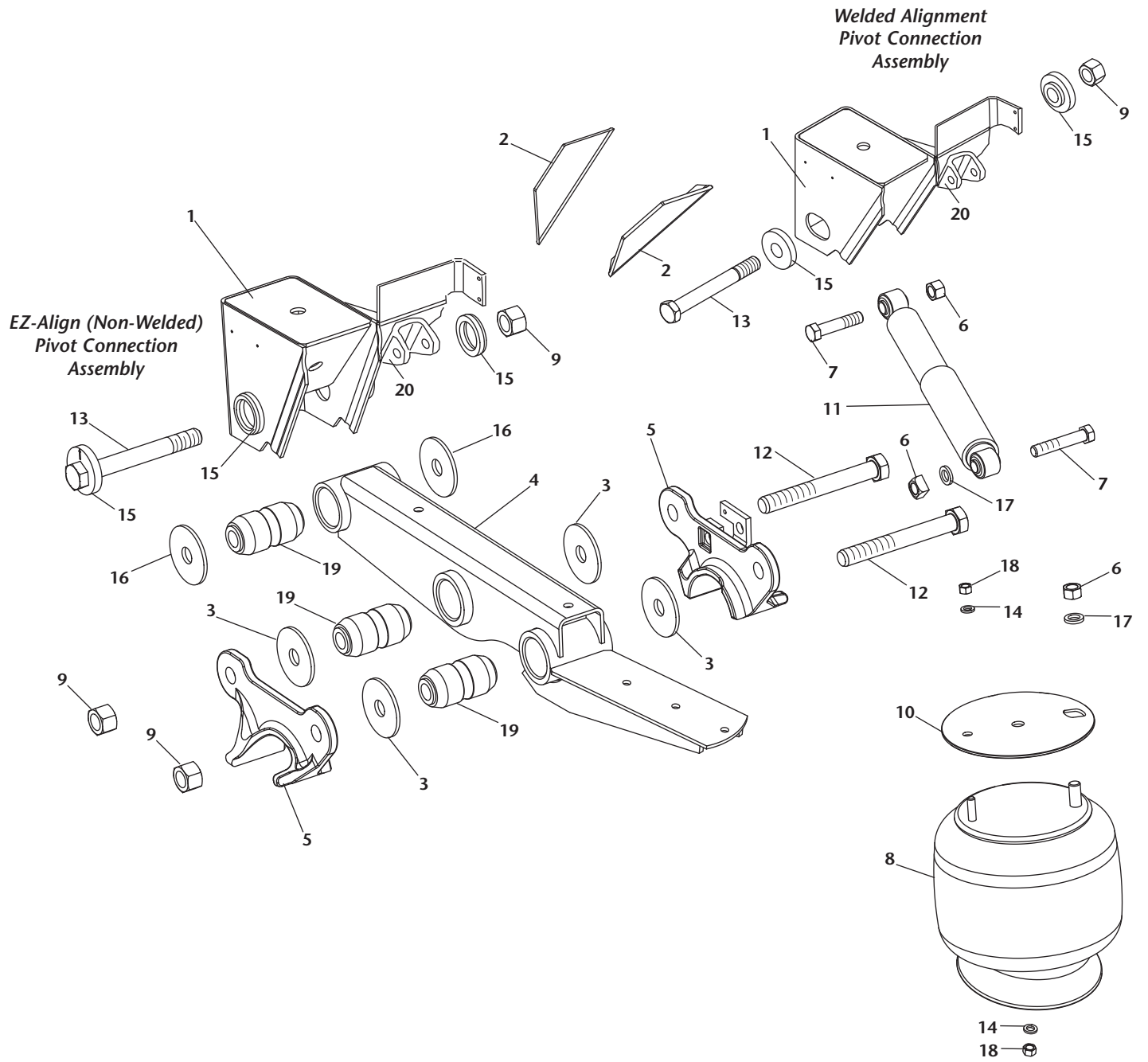
Pivot Connection Kits

DESCRIPTION	SRK NO.	PART NO.	APPLICATION
1 EZ-Align	SRK-525	481 00 389	1 Kit Req. per Axle
1 Welded Alignment			
2 EZ-Align	SRK-521	481 00 385	1 Kit Req. per Axle

Axle Connection Kit

SRK NO.	PART NO.	APPLICATION
SRK-265	481 00 328	1 Kit Req. per Axle

RL-230 HANGER MOUNTED SHOCK SUSPENSION EXPLODED VIEW



RL-230 HANGER MOUNTED SHOCK SUSPENSION PARTS LIST

Suspension Components - Hanger Mounted Shock (HMS)

ITEM NO.	DESCRIPTION	RL-230-14-3	RL-230-15-4	RL-230-16-4	RL-230-17-4	QTY.
1*	Frame Bracket (roadside - EZ-Align) HMS	90521325	90521327	90521377	90521377	1
	Frame Bracket (curbside - EZ-Align) HMS	90521326	90521328	90521378	90521378	1
	Frame Bracket (curbside - Welded Alignment) HMS	90521331	90521331	90521379	90521379	1
2	Angle Brace	90025157	90025157	90023002	90023002	4
3	1-1/8" Spacer Washer	90036217	90036217	90036217	90036217	8
4	Equalizing Beam (roadside)	90516999	90516999	90516999	90516999	1
	Equalizing Beam (curbside)	90517000	90517000	90517000	90517000	1
5	Axle Adapter (roadside-outboard) HMS	90001341	90001341	90001341	90001341	1
	Axle Adapter (roadside-inboard) HMS	90501426	90501426	90501426	90501426	1
5	Axle Adapter (curbside-outboard) HMS	90001340	90001340	90001340	90001340	1
	Axle Adapter (curbside-inboard) HMS	90501425	90501425	90501425	90501425	1
6	3/4"-10 Hex Nut (top of air spring)	93400149	93400149	93400149	93400149	2
	3/4"-10 Hex Nut (upper shock lock nut)	93400492	93400492	93400492	93400492	4
7	3/4"-10x3 1/2" Bolt	93003597	93003597	93003597	93003597	2
	3/4"-10x4" Bolt (for lower shock bolt)	93003609	93003609	93003609	93003609	2
8	Air Spring	90557117	90557117	90557117	90557118	2
9	1-1/8" Lock Nut	93400506	93400506	93400506	93400506	6
10	Air Spring Mtg Plate (ASMP)	90033785	90033785	90033785	90033785	2
11	Shock Absorber	90045381	90045381	90045299	90045040	2
12	1-1/8" Bolt	93201051	93201051	93201051	93201051	4
13	1-1/8" Pivot Bolt (Welded Alignment)	93201069	93201069	93201069	93201069	2
	1-1/8" Pivot Bolt (EZ-Align)	90508019	90508019	90508019	90508019	1*
14	1/2" Washer	93600072	93600072	93600072	93600072	4
15	Alignment Block (Welded Alignment)	90008198	90008198	90008198	90008198	2
	Alignment Block (EZ-Align)	90008238	90008238	90008238	90008238	1*
16	Pivot Washer, 1.14" dia.	90036177	90036177	90036177	90036177	4
17	3/4" Washer	93600077	93600077	93600077	93600077	2
18	1/2"-13 Nut	93400136	93400136	93400136	93400136	4
19**	Pivot and Axle Bushings	90008149	90008149	90008149	90008149	6

* If both frame brackets require EZ-Align, order 2.

** Replacement components should be purchased in bushing connection SRK kits listed below.

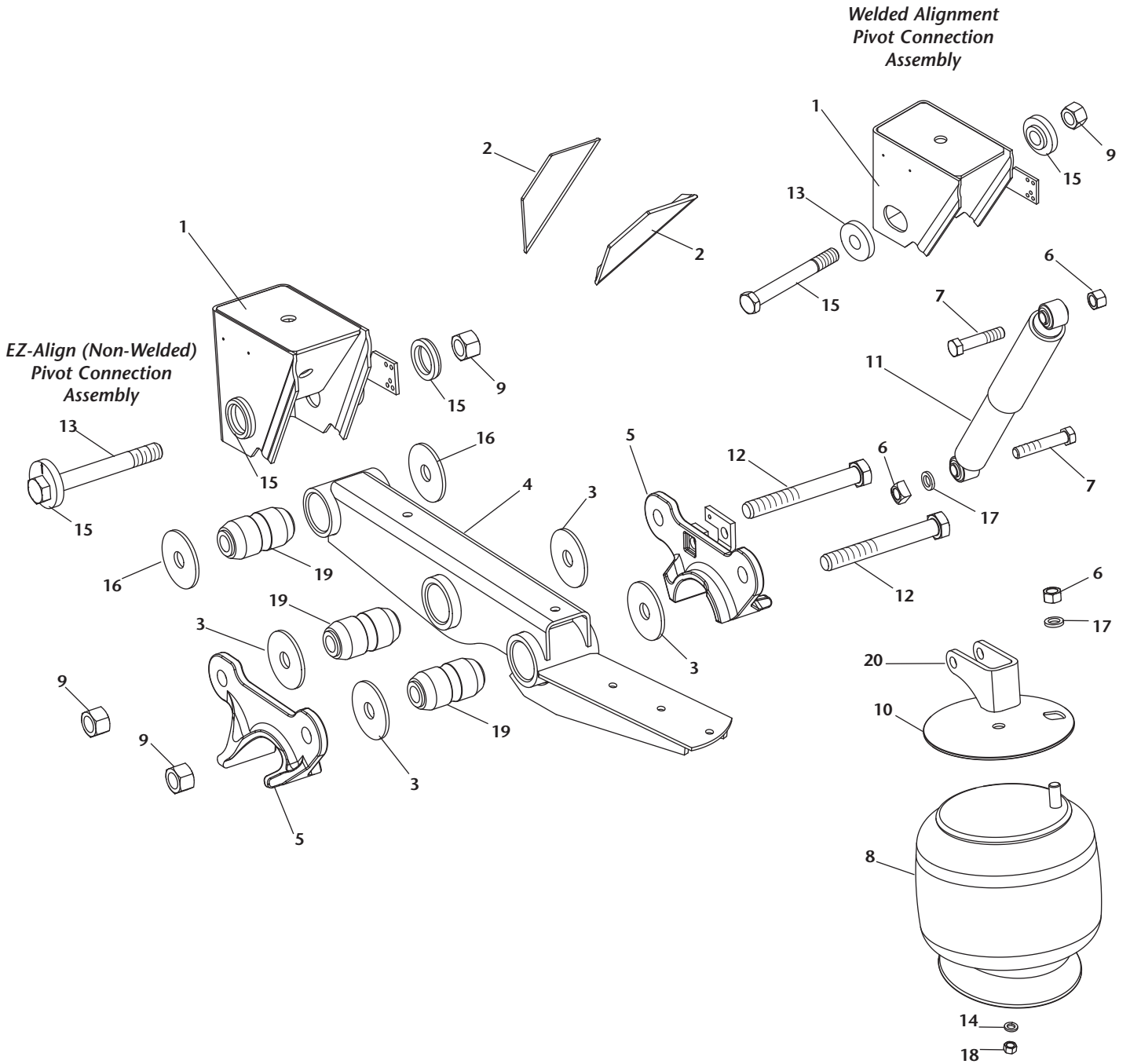
Pivot Connection Kits

DESCRIPTION	SRK NO.	PART NO.	APPLICATION
1 EZ-Align	SRK-525	481 00 389	1 Kit Req. per Axle
1 Welded Alignment			
2 EZ-Align	SRK-521	481 00 385	1 Kit Req. per Axle

Axle Connection Kit

SRK NO.	PART NO.	APPLICATION
SRK-265	481 00 328	1 Kit Req. per Axle

RL-230 SINGLE STUD AIR SPRING SUSPENSION EXPLODED VIEW



RL-230 SINGLE STUD AIR SPRING SUSPENSION PARTS LIST

Suspension Components - Single Stud Air Spring (SS)

ITEM NO.	DESCRIPTION	RL-230-14-3	RL-230-15-4	RL-230-16-4	RL-230-17-4	QTY.
1*	Frame Bracket (roadside - EZ-Align)	90521147	90521148	90521149	90521149	1
	Frame Bracket (curbside - Welded Alignment)	90521141	90521142	90521143	90521143	1
2	Angle Brace	90025157	90025157	90023002	90023002	4
3	1-1/8" Spacer Washer	90036217	90036217	90036217	90036217	8
4	Equalizing Beam (roadside)	90516999	90516999	90516999	90516999	1
	Equalizing Beam (curbside)	90517000	90517000	90517000	90517000	1
5	Axle Adapter (roadside-outboard)	90001340	90001340	90001340	90001340	1
	Axle Adapter (roadside-inboard)	90501462	90501462	90501462	90501462	1
5	Axle Adapter (curbside-outboard)	90001341	90001341	90001341	90001341	1
	Axle Adapter (curbside-inboard)	90501463	90501463	90501463	90501463	1
6	3/4"-10 Hex Nut (top of air spring)	93400149	93400149	93400149	93400149	2
	3/4"-10 Hex Nut (upper shock lock nut)	93400492	93400492	93400492	93400492	2
	3/4"-10 Square Nut (for lower shock bolt)	93400367	93400367	93400367	93400367	2
7	3/4"-10x3 1/2" Bolt	93003597	93003597	93003597	93003597	2
	3/4"-10x4" Bolt (for lower shock bolt)	93003609	93003609	93003609	93003609	2
8	Air Spring (SS)	90557156	90557156	90557156	90557157	2
9	1-1/8" Lock Nut	93400506	93400506	93400506	93400506	6
10	Air Spring Mtg Plate (ASMP)	90033785	90033785	90033785	90033785	2
	Upper ASMP & shk Brkt (roadside) SS	90531322	90531322	90531322	90531322	1
	Upper ASMP & shk Brkt (curbside) SS	90531323	90531323	90531323	90531323	1
11	Shock Absorber	90044642	90044642	90044642	90044089	2
12	1-1/8" Bolt	93201051	93201051	93201051	93201051	4
13	1-1/8" Pivot Bolt (Welded Alignment)	93201069	93201069	93201069	93201069	1
	1-1/8" Pivot Bolt (EZ-Align)	90508019	90508019	90508019	90508019	1*
14	1/2" Washer	93600072	93600072	93600072	93600072	4
15	Alignment Block (Welded Alignment)	90008198	90008198	90008198	90008198	2
	Alignment Block (EZ-Align)	90008238	90008238	90008238	90008238	1*
16	Pivot Washer, 1.14" dia.	90036177	90036177	90036177	90036177	4
17	3/4" Washer	93600077	93600077	93600077	93600077	4
18	1/2"-13 Nut	93400136	93400136	93400136	93400136	4
19**	Pivot and Axle Bushing	90008149	90008149	90008149	90008149	6
20	Upper Shock Bracket	90018445	90018445	90018445	90018445	2

* If both frame brackets require EZ-Align, order 2.

** Replacement components should be purchased in bushing connection SRK kits listed below.

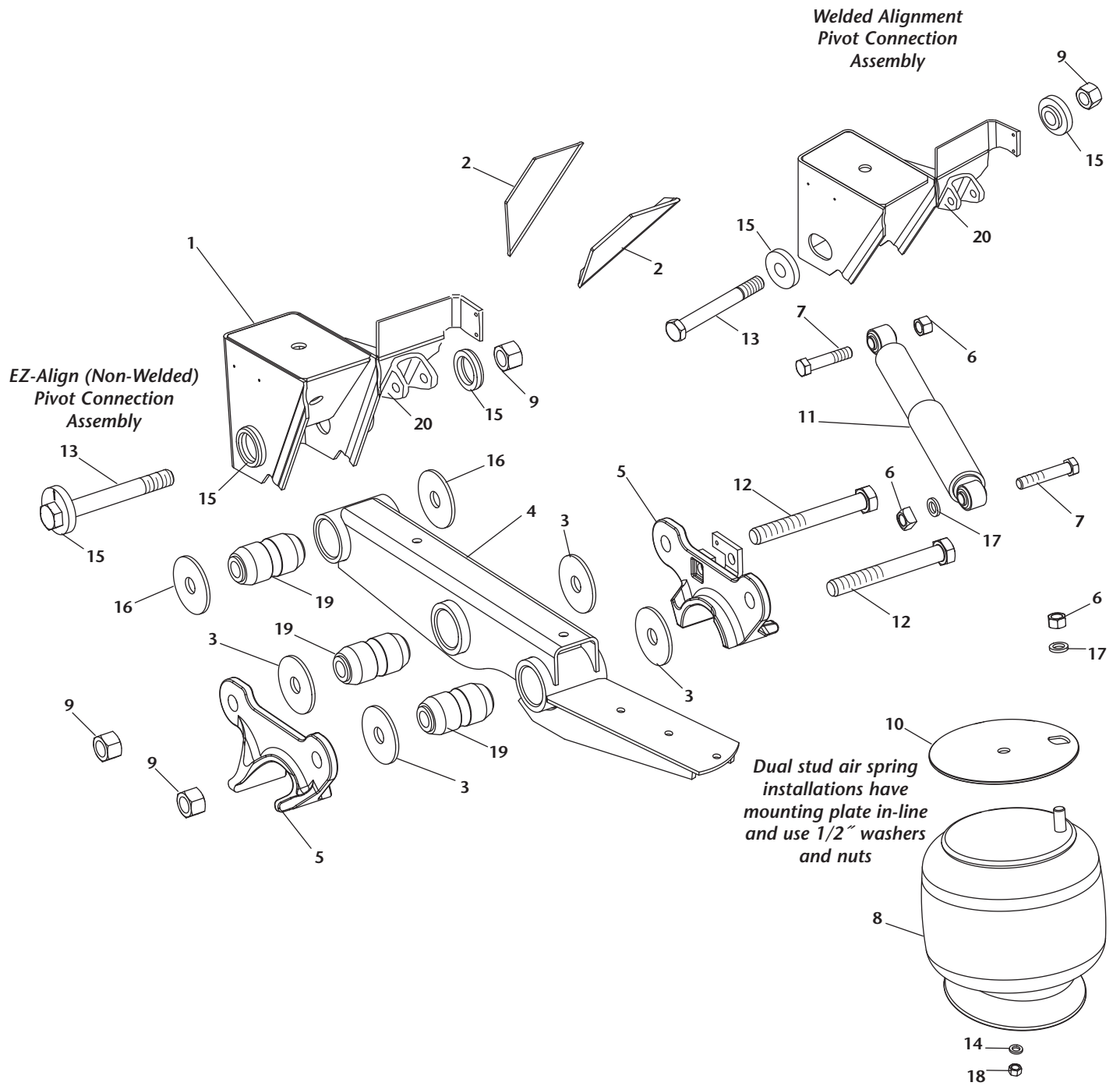
Pivot Connection Kits

DESCRIPTION	SRK NO.	PART NO.	APPLICATION
1 EZ-Align	SRK-525	481 00 389	1 Kit Req. per Axle
1 Welded Alignment			
2 EZ-Align	SRK-521	481 00 385	1 Kit Req. per Axle

Axle Connection Kit

SRK NO.	PART NO.	APPLICATION
SRK-265	481 00 328	1 Kit Req. per Axle

RL-230 SINGLE STUD AIR SPRING, HANGER MOUNTED SHOCK SUSPENSION EXPLODED VIEW



RL-230 SINGLE STUD AIR SPRING, HANGER MOUNTED SHOCK SUSPENSION PARTS LIST

Suspension Components - Single Stud (SS), Hanger Mounted Shock (HMS)

ITEM NO.	DESCRIPTION	RL-230-14-3	RL-230-15-4	RL-230-16-4	RL-230-17-4	QTY.
1*	Frame Bracket (roadside - EZ-Align) HMS	90521325	90521327	90521377	90521377	1
	Frame Bracket (curbside - EZ-Align) HMS	90521326	90521328	90521378	90521378	1
	Frame Bracket (curbside - Welded Alignment) HMS	90521331	90521331	90521379	90521379	1
2	Angle Brace	90025157	90025157	90023002	90023002	4
3	1-1/8" Spacer Washer	90036217	90036217	90036217	90036217	8
4	Equalizing Beam (roadside)	90516999	90516999	90516999	90516999	1
	Equalizing Beam (curbside)	90517000	90517000	90517000	90517000	1
5	Axle Adapter (roadside-outboard) HMS	90001341	90001341	90001341	90001341	1
	Axle Adapter (roadside-inboard) HMS	90501426	90501426	90501426	90501426	1
5	Axle Adapter (curbside-outboard) HMS	90001340	90001340	90001340	90001340	1
	Axle Adapter (curbside-inboard) HMS	90501425	90501425	90501425	90501425	1
6	3/4"-10 Hex Nut (top of air spring)	93400149	93400149	93400149	93400149	2
	3/4"-10 Hex Nut (upper shock lock nut)	93400492	93400492	93400492	93400492	4
7	3/4"-10x3 1/2" Bolt	93003597	93003597	93003597	93003597	2
	3/4"-10x4" Bolt (for lower shock bolt)	93003609	93003609	93003609	93003609	2
8	Air Spring	90557156	90557156	90557156	90557157	2
9	1-1/8" Lock Nut	93400506	93400506	93400506	93400506	6
10	Air Spring Mtg Plate (ASMP)	90033785	90033785	90033785	90033785	2
11	Shock Absorber	90045381	90045381	90045299	90045040	2
12	1-1/8" Bolt	93201051	93201051	93201051	93201051	4
13	1-1/8" Pivot Bolt (Welded Alignment)	93201069	93201069	93201069	93201069	1
	1-1/8" Pivot Bolt (EZ-Align)	90508019	90508019	90508019	90508019	1*
14	1/2" Washer	93600072	93600072	93600072	93600072	4
15	Alignment Block (Welded Alignment)	90008198	90008198	90008198	90008198	2
	Alignment Block (EZ-Align)	90008238	90008238	90008238	90008238	1*
16	Pivot Washer, 1.14" dia.	90036177	90036177	90036177	90036177	4
17	3/4" Washer	93600077	93600077	93600077	93600077	2
18	1/2"-13 Nut	93400136	93400136	93400136	93400136	4
19**	Pivot and Axle Bushing	90008149	90008149	90008149	90008149	6

* If both frame brackets require EZ-Align, order 2.

** Replacement components should be purchased in bushing connection SRK kits listed below.

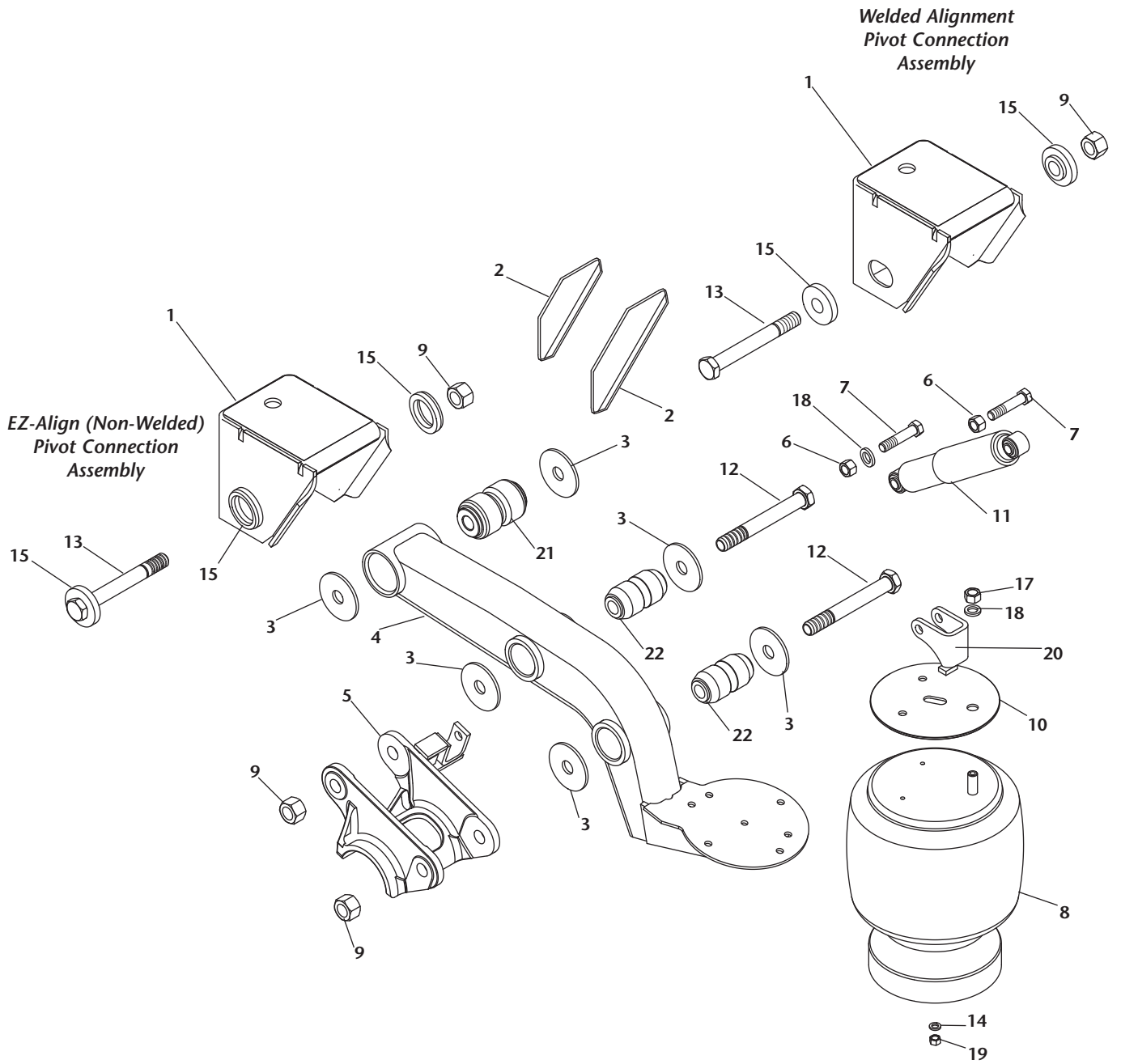
Pivot Connection Kits

DESCRIPTION	SRK NO.	PART NO.	APPLICATION
1 EZ-Align	SRK-525	481 00 389	1 Kit Req. per Axle
1 Welded Alignment			
2 EZ-Align	SRK-521	481 00 385	1 Kit Req. per Axle

Axle Connection Kit

SRK NO.	PART NO.	APPLICATION
SRK-265	481 00 328	1 Kit Req. per Axle

RL-250 STANDARD SUSPENSION EXPLODED VIEW



RL-250 STANDARD SUSPENSION PARTS LIST

Suspension Components - Standard Suspension

ITEM NO.	DESCRIPTION	RL-250-14.0	RL-250-15.0	RL-250-16.0	RL-250-17.0	QTY.
1	Frame Bracket (roadside - EZ-Align)	90521151	90521151	90521152	90521152	1
	Frame Bracket (curbside - EZ-Align)	90521151	90521151	90521152	90521152	1
	Frame Bracket (roadside - Welded Alignment)	90521145	90521145	90521146	90521146	1
	Frame Bracket (curbside - Welded Alignment)	90521145	90521145	90521146	90521146	1
2	Angle Brace	90023002	90023002	90023001	90023001	4
3	1-1/8" Spacer Washer	90036177	90036177	90036177	90036177	12
4	Equalizing Beam (roadside)	90516587	90516587	90516587	90516587	1
	Equalizing Beam (curbside)	90516588	90516588	90516588	90516588	1
5	Axle Adapter (roadside)	90501289	90501289	90501289	90501289	1
	Axle Adapter (curbside)	90501290	90501290	90501290	90501290	1
6	3/4"-10 Hex Nut (upper shock lock nut)	93400492	93400492	93400492	93400492	2
	3/4"-10 Square Nut (for lower shock bolt)	93400367	93400367	93400367	93400367	2
7	3/4"-10x3 1/2" Bolt	93003597	93003597	93003597	93003597	2
	3/4"-10x4" Bolt (lower shock bolt)	93003609	93003609	93003609	93003609	2
8	Air Spring	90557167	90557167	90557168	90557168	2
9	1 1/8" Lock Nut	93400506	93400506	93400506	93400506	6
10	Air Spring Mtg Plate	90033785	90033785	90033785	90033785	2
	Upper ASMP & shk Brkt (roadside)	90531262	90531262	90531262	90531262	1
	Upper ASMP & shk Brkt (curbside)	90531263	90531263	90531263	90531263	1
11	Shock Absorber	90044642	90044642	90044089	90044089	2
12	1-1/8" Bolt	93201051	93201051	93201051	93201051	4
13	1-1/8" Pivot Bolt (Welded Alignment)	93201069	93201069	93201069	93201069	2
	1-1/8" Pivot Bolt (EZ-Align)	90508019	90508019	90508019	90508019	2
14	1/2" Washer	93600072	93600072	93600072	93600072	4
15	Alignment Block (Welded Alignment)	90008198	90008198	90008198	90008198	2
	Alignment Block (EZ-Align)	90008238	90008238	90008238	90008238	2
17	3/4"-10 Hex Nut (top of air spring)	93400149	93400149	93400149	93400149	2
18	3/4" Washer	93600077	93600077	93600077	93600077	4
19	1/2"-13 Nut	93400136	93400136	93400136	93400136	4
20	Upper Shock Bracket	90018515	90018515	90018515	90018515	2
21*	Pivot Bushing	90008139	90008139	90008139	90008139	2
22*	Axle Bushing	90008149	90008149	90008149	90008149	4

* Replacement components should be purchased in bushing connection SRK kits listed below.

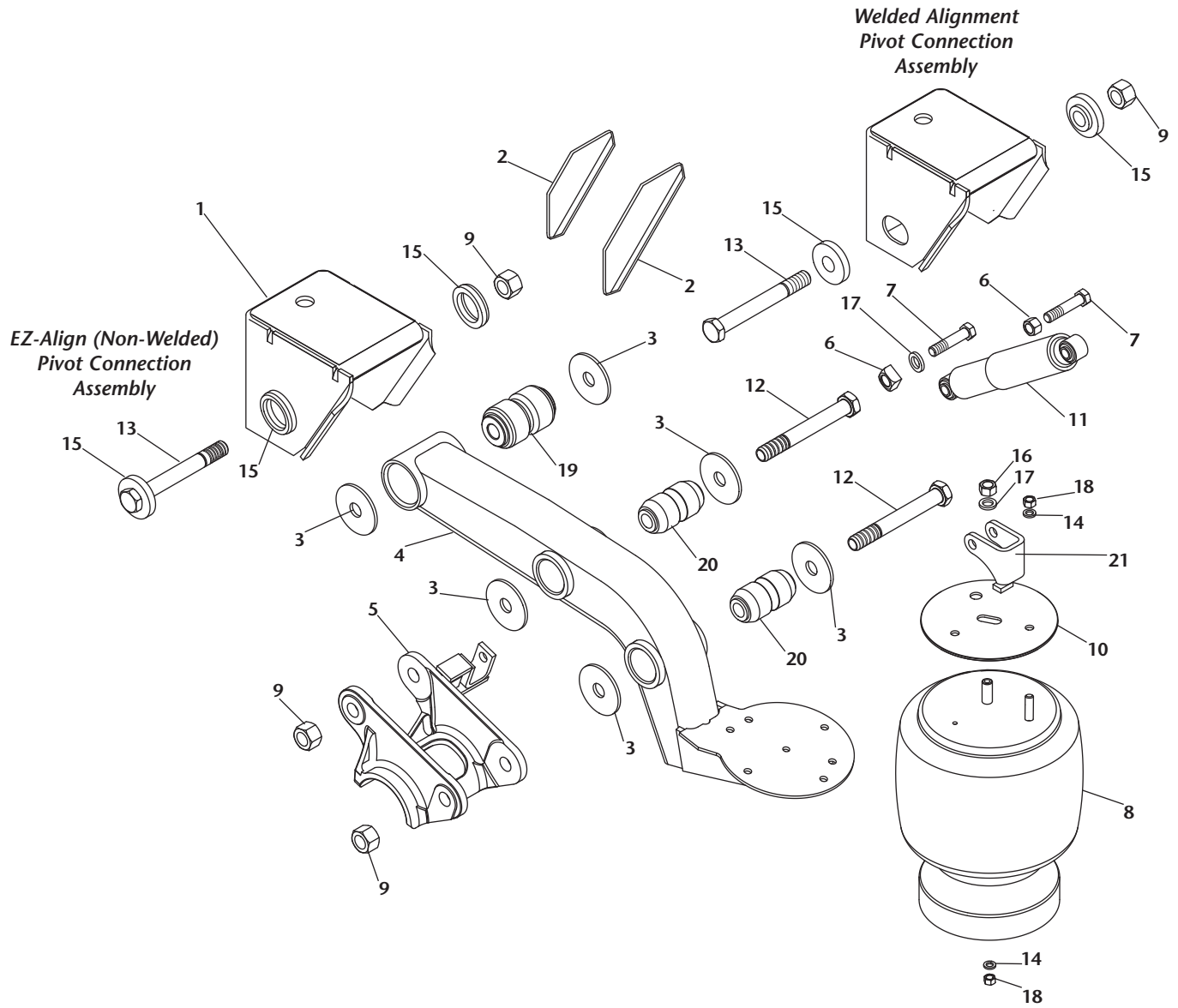
Pivot Connection Kits

DESCRIPTION	SRK NO.	PART NO.	APPLICATION
1 EZ-Align	SRK-519	481 00 383	1 Kit Req. per Axle
2 EZ-Align	SRK-522	481 00 386	1 Kit Req. per Axle

Axle Connection Kit

SRK NO.	PART NO.	APPLICATION
SRK-149	481 00 206	1 Kit Req. per Axle

RL-250 SHOCK BELOW FRAME SUSPENSION EXPLODED VIEW



RL-250 SHOCK BELOW FRAME SUSPENSION PARTS LIST

Suspension Components - Shock Below Frame (SBF)

ITEM NO.	DESCRIPTION	RL-250-14-3	RL-250-15-4	RL-250-16-4	RL-250-17-4	QTY.
1	Frame Bracket (roadside) EZ SBF	90521150	90521151	90521152	90521152	1
	Frame Bracket (curbside) EZ SBF	90521150	90521151	90521152	90521152	1
	Frame Bracket (curbside) WA SBF	90521144	90521145	90521146	90521146	1
2	Angle Brace	90023002	90023002	90023001	90023001	4
3	1-1/8" Spacer Washer	90036177	90036177	90036177	90036177	12
4	Equalizing Beam (roadside)	90516587	90516587	90516587	90516587	1
	Equalizing Beam (curbside)	90516588	90516588	90516588	90516588	1
5	Axle Adapter (roadside)	90501289	90501289	90501289	90501289	1
	Axle Adapter (curbside)	90501290	90501290	90501290	90501290	1
6	3/4"-10 Hex Nut	93400492	93400492	93400492	93400492	2
	3/4"-10 Square Nut (for lower shock bolt)	93400367	93400367	93400367	93400367	2
7	3/4"-10x3 1/2" Bolt	93003597	93003597	93003597	93003597	2
	3/4"-10x4" Bolt (lower shock bolt)	93003609	93003609	93003609	93003609	2
8	Air Spring SBF	90557167	90557167	90557167	90557167	2
9	1-1/8" Lock Nut	93400506	93400506	93400506	93400506	6
10	Air Spring Mtg Plate	90033785	90033785	90033785	90033785	2
	Upper ASMP & shk Brkt RS SBF	90544830	90544830	90531331	90531331	1
	Upper ASMP & shk Brkt CS SBF	90544831	90544831	90531330	90531330	1
11	Shock Absorber SBF	90045040	90045040	90045299	90045299	2
12	1-1/8" Bolt	93201051	93201051	93201051	93201051	4
13	1-1/8" Pivot Bolt (Welded Alignment)	93201069	93201069	93201069	93201069	2
	1-1/8" Pivot Bolt (EZ-Align)	90508019	90508019	90508019	90508019	2
14	1/2" Washer	93600072	93600072	93600072	93600072	4
15	Alignment Block (Welded Alignment)	90008198	90008198	90008198	90008198	2
	Alignment Block (EZ-Align)	90008238	90008238	90008238	90008238	2
16	3/4"-10 Hex Nut (top of air spring)	93400149	93400149	93400149	93400149	2
17	3/4" Washer	93600077	93600077	93600077	93600077	4
18	1/2"-13 Nut	93400136	93400136	93400136	93400136	2
19*	Pivot Bushing	90008139	90008139	90008139	90008139	1
20*	Axle Bushing	90008149	90008149	90008149	90008149	2
21	Upper Shock Bracket	90018445	90018445	90018445	90018445	2
22	Tube 3"x3"x0.25"x12" (not shown)	90038312	90038312	90038312	90038312	1

* Replacement components should be purchased in bushing connection SRK kits listed below.

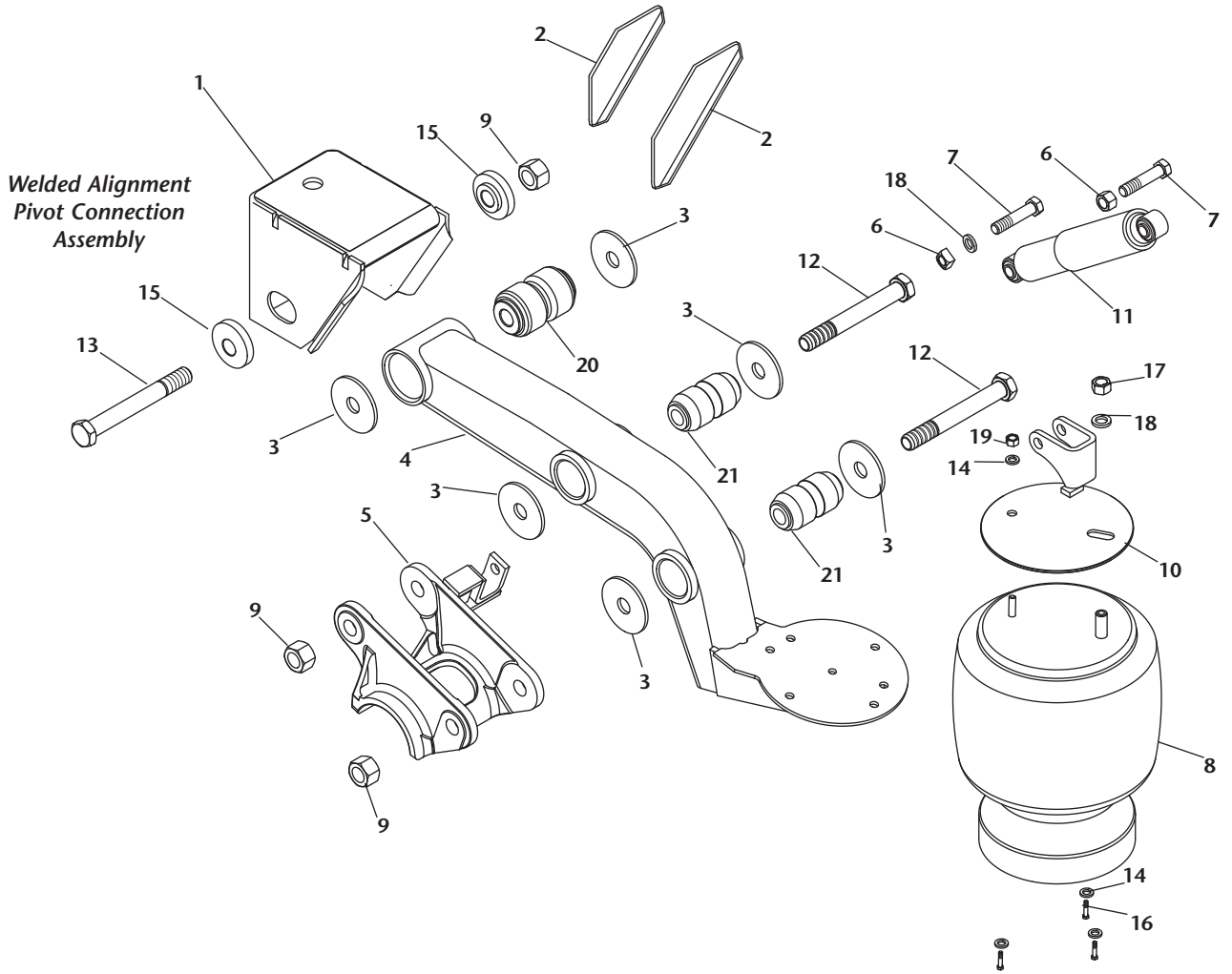
Pivot Connection Kits

DESCRIPTION	SRK NO.	PART NO.	APPLICATION
1 EZ-Align	SRK-519	481 00 383	1 Kit Req. per Axle
2 EZ-Align	SRK-522	481 00 386	1 Kit Req. per Axle

Axle Connection Kit

SRK NO.	PART NO.	APPLICATION
SRK-149	481 00 206	1 Kit Req. per Axle

RL-300 STANDARD SUSPENSION EXPLODED VIEW



RL-300 STANDARD SUSPENSION PARTS LIST

Suspension Components - Standard Suspension

ITEM NO.	DESCRIPTION	RL-300-12	RL-300-13	RL-300-14	RL-300-15	RL-300-16	RL-300-17	QTY.
1	Frame Bracket (roadside - Welded Alignment)	90520383	90520383	90521144	90521145	90521146	90521146	1
	Frame Bracket (curbside - Welded Alignment)	90520383	90520383	90521144	90521145	90521146	90521146	1
2	Angle Brace	90025157	90025157	90023002	90023002	90023001	90023001	4
3	1-1/8" Spacer Washer	90036177	90036177	90036177	90036177	90036177	90036177	12
4	Equalizing Beam (roadside)	90516949	90516949	90516949	90516949	90516949	90516949	1
	Equalizing Beam (curbside)	90516950	90516950	90516950	90516950	90516950	90516950	1
5	Axle Adapter (roadside)	90501289	90501289	90501289	90501289	90501289	90501289	1
	Axle Adapter (curbside)	90501290	90501290	90501290	90501290	90501290	90501290	1
6	3/4"-10 Hex Nut (upper shock lock nut)	93400492	93400492	93400492	93400492	93400492	93400492	2
	3/4"-10 Square Nut (for lower shock bolt)	93400367	93400367	93400367	93400367	93400367	93400367	2
7	3/4"-10x3 1/2" Bolt	93003597	93003597	93003597	93003597	93003597	93003597	2
	3/4"-10x4" Bolt (lower shock bolt)	93003609	93003609	93003609	93003609	93003609	93003609	2
8	Air Spring	90557259	90557259	90557185	90557185	90557260	90557260	2
9	1-1/8" Lock Nut	93400506	93400506	93400506	93400506	93400506	93400506	6
10	Upper Air Spring Mtg Plate & shk Brkt RS	90531316	90531316	90531306	90531306	90531326	90531326	1
	Upper Air Spring Mtg Plate & shk Brkt CS	90531317	90531317	90531307	90531307	90531327	90531327	1
11	Shock Absorber	90045054	90045054	90045338	90045338	90045338	90045338	2
12	1-1/8" Bolt	93201051	93201051	93201051	93201051	93201051	93201051	4
13	1-1/8" Pivot Bolt (Welded Alignment)	93201069	93201069	93201069	93201069	93201069	93201069	2
14	1/2" Washer	93600072	93600072	93600072	93600072	93600072	93600072	8
15	Alignment Block (Welded Alignment)	90008147	90008147	90008198	90008198	90008198	90008198	4
16	1/2"-13x1" Bolt	93002893	93002893	93002893	93002893	93002893	93002893	6
17	3/4"-10 Hex Nut (top of air spring)	93400149	93400149	93400149	93400149	93400149	93400149	2
18	3/4" Washer	93600077	93600077	93600077	93600077	93600077	93600077	4
19	1/2"-13 Nut	93400136	93400136	93400136	93400136	93400136	93400136	2
20*	Pivot Bushing	90008139	90008139	90008139	90008139	90008139	90008139	1
21*	Axle Bushing	90008149	90008149	90008149	90008149	90008149	90008149	2

* Replacement components should be purchased in bushing connection SRK kits listed below.

Pivot Connection Kits

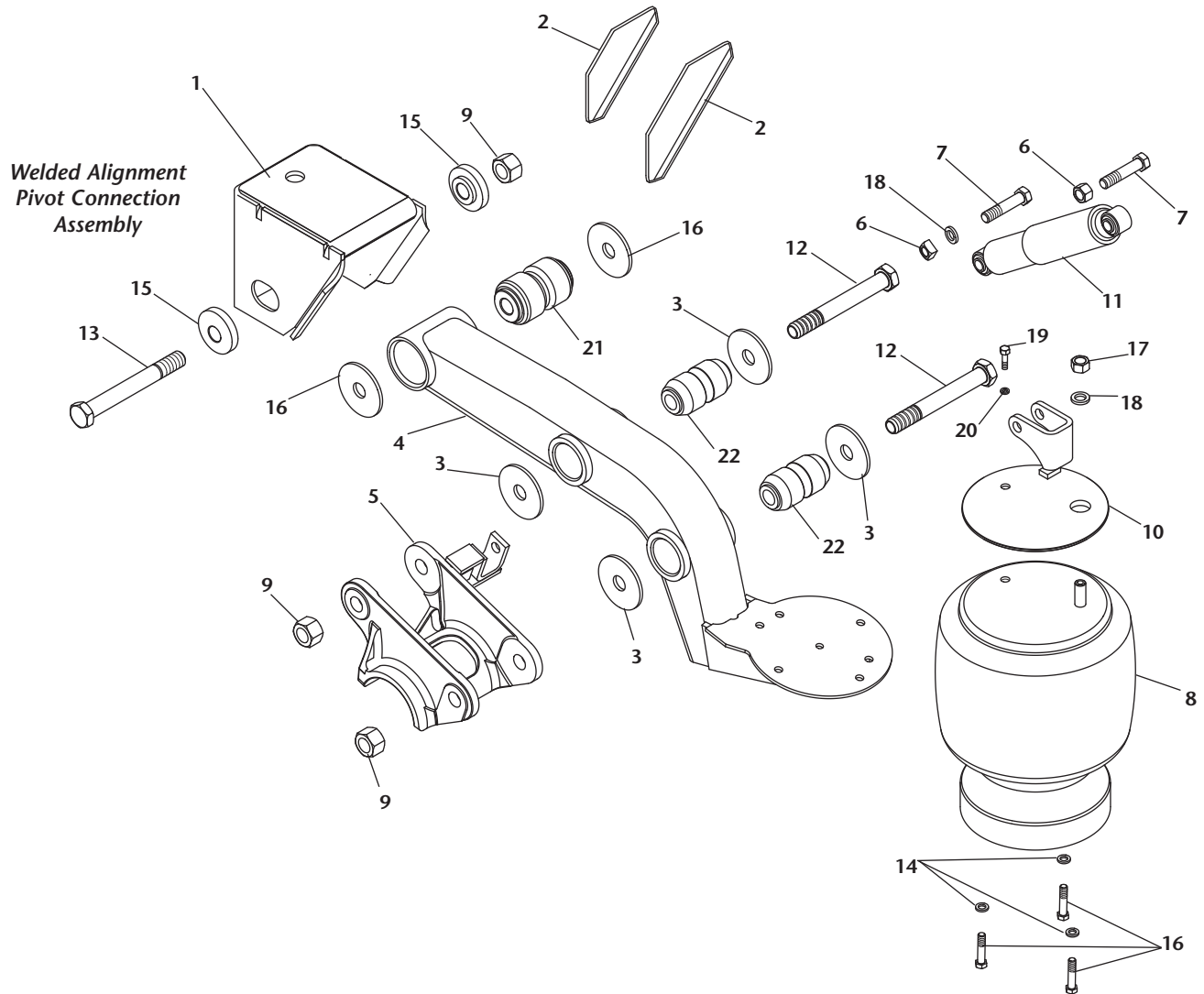
DESCRIPTION	SRK NO.	PART NO.	APPLICATION
1 Welded Alignment**	SRK-524	481 00 388	1 Kit Req. per Axle

**without alignment collars.

Axle Connection Kit

SRK NO.	PART NO.	APPLICATION
SRK-149	481 00 206	1 Kit Req. per Axle

RL-300 OFFSET STUD AIR SPRING SUSPENSION EXPLODED VIEW



RL-300 OFFSET STUD AIR SPRING SUSPENSION PARTS LIST

Suspension Components - Offset Stud (OFS) Air Spring

ITEM NO.	DESCRIPTION	RL-300-13	RL-300-14	RL-300-15	RL-300-16	RL-300-17	QTY.
1	Frame Bracket (roadside - Welded Alignment)	90520383	90521144	90521145	90521146	90521146	1
	Frame Bracket (curbside - Welded Alignment)	90520383	90521144	90521145	90521146	90521146	1
2	Angle Brace	90025157	90023002	90023002	90023001	90023001	4
3	1-1/8" Spacer Washer	90036177	90036177	90036177	90036177	90036177	12
4	Equalizing Beam (roadside)	90516949	90516949	90516949	90516949	90516949	1
	Equalizing Beam (curbside)	90516950	90516950	90516950	90516950	90516950	1
5	Axle Adapter (roadside)	90501289	90501289	90501289	90501289	90501289	1
	Axle Adapter (curbside)	90501290	90501290	90501290	90501290	90501290	1
6	3/4"-10 Hex Nut (upper shock lock nut)	93400492	93400492	93400492	93400492	93400492	2
	3/4"-10 Square Nut (for lower shock bolt)	93400367	93400367	93400367	93400367	93400367	2
7	3/4"-10x3 1/2" Bolt	93003597	93003597	93003597	93003597	93003597	2
	3/4"-10x4" Bolt (lower shock bolt)	93003609	93003609	93003609	93003609	93003609	2
8	Firestone OFS Air Spring	90557283	90557283	90557283	90557283	90557283	2
9	1-1/8" Lock Nut	93400506	93400506	93400506	93400506	93400506	6
10	Upper Air Spring Mtg Plate & shk Brkt RS	90531316	90531316	90531316	90531328	90531328	1
	Upper Air Spring Mtg Plate & shk Brkt CS	90531317	90531317	90531317	90531329	90531329	1
11	Shock Absorber	90045054	90045338	90045338	90045338	90045338	2
12	1-1/8" Bolt	93201051	93201051	93201051	93201051	93201051	4
13	1-1/8" Pivot Bolt (Welded Alignment)	93201069	93201069	93201069	93201069	93201069	2
14	1/2" Washer	93600072	93600072	93600072	93600072	93600072	8
15	Alignment Block (Welded Alignment)	90008147	90008198	90008198	90008198	90008198	4
16	1/2"-13x1" Bolt	93002893	93002893	93002893	93002893	93002893	6
17	3/4"-10 Hex Nut (top of air spring)	93400149	93400149	93400149	93400149	93400149	2
18	3/4" Washer	93600077	93600077	93600077	93600077	93600077	4
19	3/8"-16 x 1" Grade 5 Bolt	93002571	93002571	93002571	93002571	93002571	4
20	.41" Lock Washer	93600069	93600069	93600069	93600069	93600069	4
21*	Pivot Bushing	90008139	90008139	90008139	90008139	90008139	1
22*	Axle Bushing	90008149	90008149	90008149	90008149	90008149	2

* Replacement components should be purchased in bushing connection SRK kits listed below.

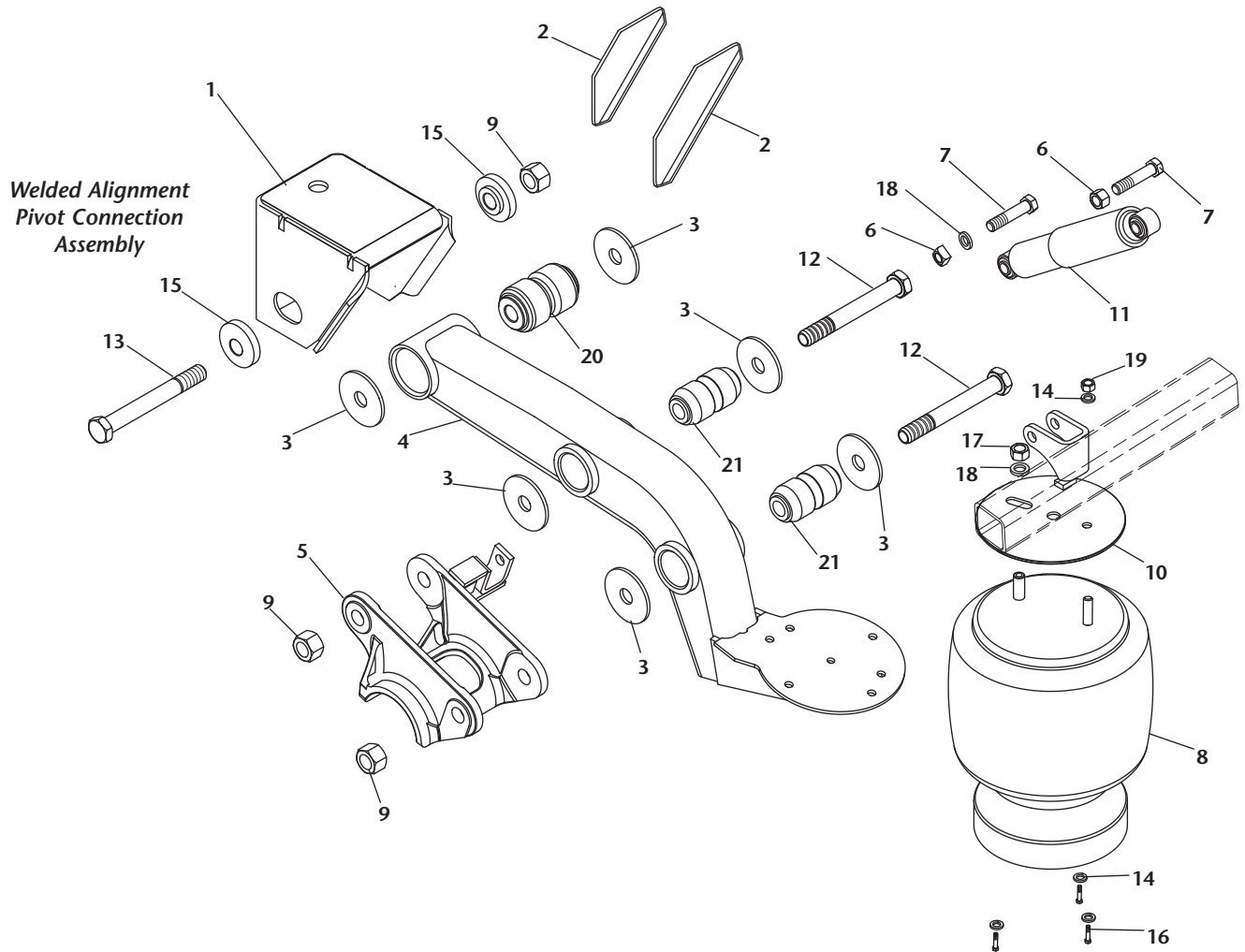
Pivot Connection Kits

DESCRIPTION	SRK NO.	PART NO.	APPLICATION
1 Welded Alignment	SRK-524	481 00 388	1 Kit Req. per Axle

Axle Connection Kit

SRK NO.	PART NO.	APPLICATION
SRK-149	481 00 206	1 Kit Req. per Axle

RL-300 SHOCK BELOW FRAME SUSPENSION EXPLODED VIEW



RL-300 SHOCK BELOW FRAME SUSPENSION PARTS LIST

Suspension Components - Shock Below Frame (SBF)

ITEM NO.	DESCRIPTION	RL-300-14-SBF	RL-300-15-SBF	RL-300-16-SBF	RL-300-17-SBF	QTY.
1	Frame Bracket (roadside - Welded Alignment)	90521144	90521145	90521146	90521146	1
	Frame Bracket (curbside - Welded Alignment)	90521144	90521145	90521146	90521146	1
2	Angle Brace	90023002	90023002	90023001	90023001	4
3	1-1/8" Spacer Washer	90036177	90036177	90036177	90036177	12
4	Equalizing Beam (roadside)	90516949	90516949	90516949	90516949	1
	Equalizing Beam (curbside)	90516950	90516950	90516950	90516950	1
5	Axle Adapter (roadside)	90501289	90501289	90501289	90501289	1
	Axle Adapter (curbside)	90501290	90501290	90501290	90501290	1
6	3/4"-10 Hex Nut (upper shock lock nut)	93400492	93400492	93400492	93400492	2
	3/4"-10 Square Nut (for lower shock bolt)	93400367	93400367	93400367	93400367	2
7	3/4"-10x3 1/2" Bolt	93003597	93003597	93003597	93003597	2
	3/4"-10x4" Bolt (lower shock bolt)	93003609	93003609	93003609	93003609	2
8	Firestone Air Spring	90557111	90557111	90557111	90557111	2
9	1-1/8" Lock Nut	93400506	93400506	93400506	93400506	6
10	Upper Air Spring Mtg Plate & shk Brkt (roadside)	90544830	90544830	90544830	90544830	1
	Upper Air Spring Mtg Plate & shk Brkt (curbside)	90544831	90544831	90544831	90544831	1
11	Shock Absorber	90045337	90045337	90045339	90045339	2
12	1-1/8" Bolt	93201051	93201051	93201051	93201051	4
13	1-1/8" Pivot Bolt (Welded Alignment)	93201069	93201069	93201069	93201069	2
14	1/2" Washer	93600072	93600072	93600072	93600072	8
15	Alignment Block (Welded Alignment)	90008198	90008198	90008198	90008198	4
16	1/2"-13x1" Bolt	93002893	93002893	93002893	93002893	6
17	3/4"-10 Hex Nut (top of air spring)	93400149	93400149	93400149	93400149	2
18	3/4" Washer	93600077	93600077	93600077	93600077	4
19	1/2"-13 Nut	93400136	93400136	93400136	93400136	2
20*	Pivot Bushing	90008139	90008139	90008139	90008139	1
21*	Axle Bushing	90008149	90008149	90008149	90008149	2

* Replacement components should be purchased in bushing connection SRK kits listed below.

Pivot Connection Kits

DESCRIPTION	SRK NO.	PART NO.	APPLICATION
2 Welded Alignment	SRK-524	481 00 388	1 Kit Req. per Axle

Axle Connection Kit

SRK NO.	PART NO.	APPLICATION
SRK-265	481 00 328	1 Kit Req. per Axle

Holland Technical/Customer Service Tel: 1-888-396-6501



GO THE DISTANCE.

HOLLAND USA, INC.
1950 Industrial Blvd. • P.O. Box 425 • Muskegon, MI 49443-0425
Phone 888-396-6501 • Fax 800-356-3929
www.thehollandgroupinc.com

Copyright © September 2005 • The Holland Group, Inc.

Holland USA, Inc. Facilities:

Dumas, AR Muskegon, MI
Holland, MI Warrenton, MO
Monroe, NC Wylie, TX

Ph: 888-396-6501 Fax: 800-356-3929

Holland International, Inc.

Holland, MI
Phone: 616-396-6501
Fax: 616-396-1511

Holland Hitch of Canada, Ltd.

Woodstock, Ontario • Canada
Phone: 519-537-3494
Fax: 800-565-7753

Holland Equipment, Ltd.

Norwich, Ontario • Canada
Phone: 519-863-3414
Fax: 519-863-2398

Holland Hitch of Canada, Ltd.

Surrey, British Columbia • Canada
Phone: 604-574-7491
Fax: 604-574-0244