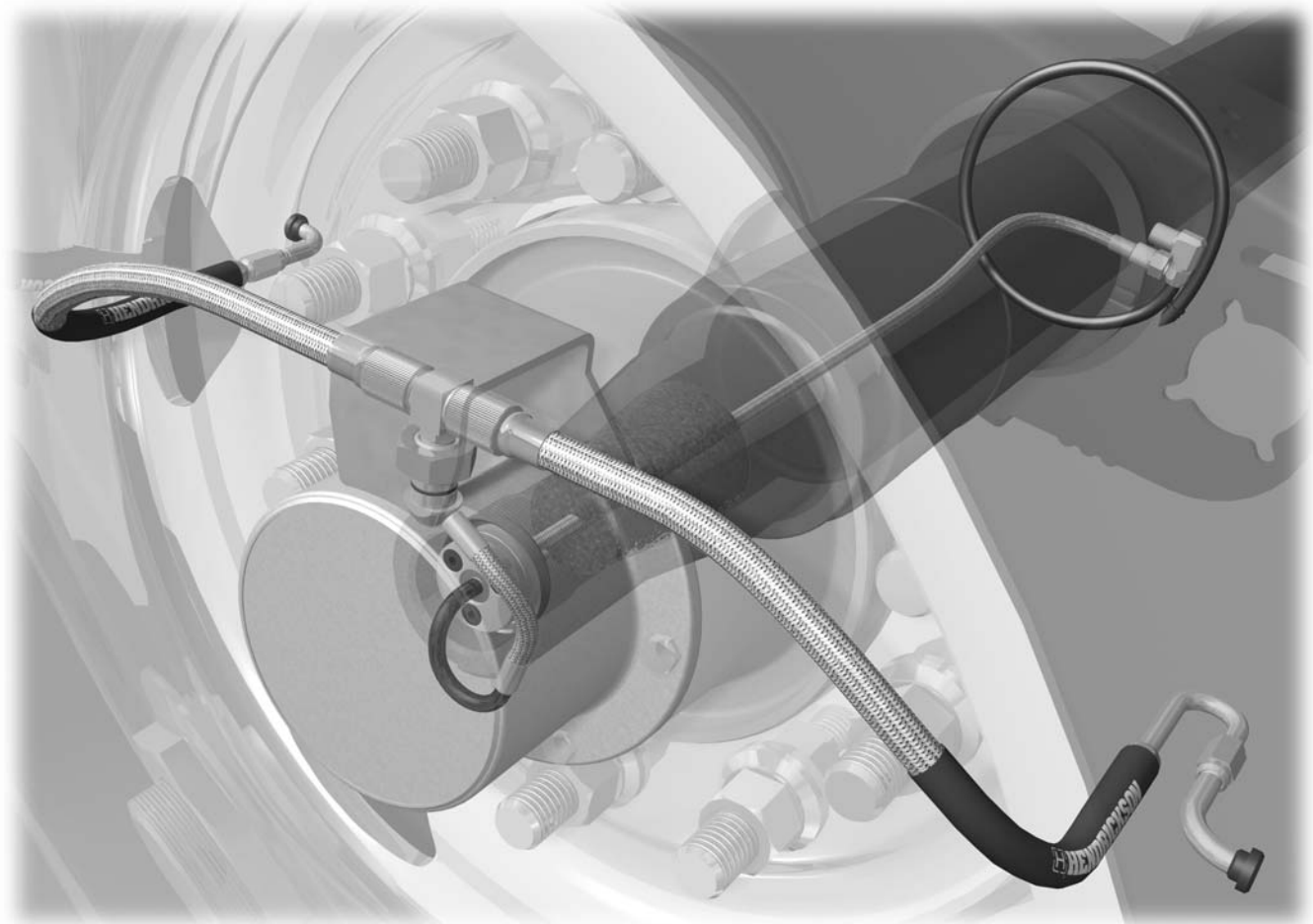


H PARTS LIST TIREMAAX®

LIT NO: L878

DATE: May 2008

REVISION: B



For complete service and installation instructions refer to L818 (EC) or L995 (CP), both can be found on the Hendrickson website at www.hendrickson-intl.com.

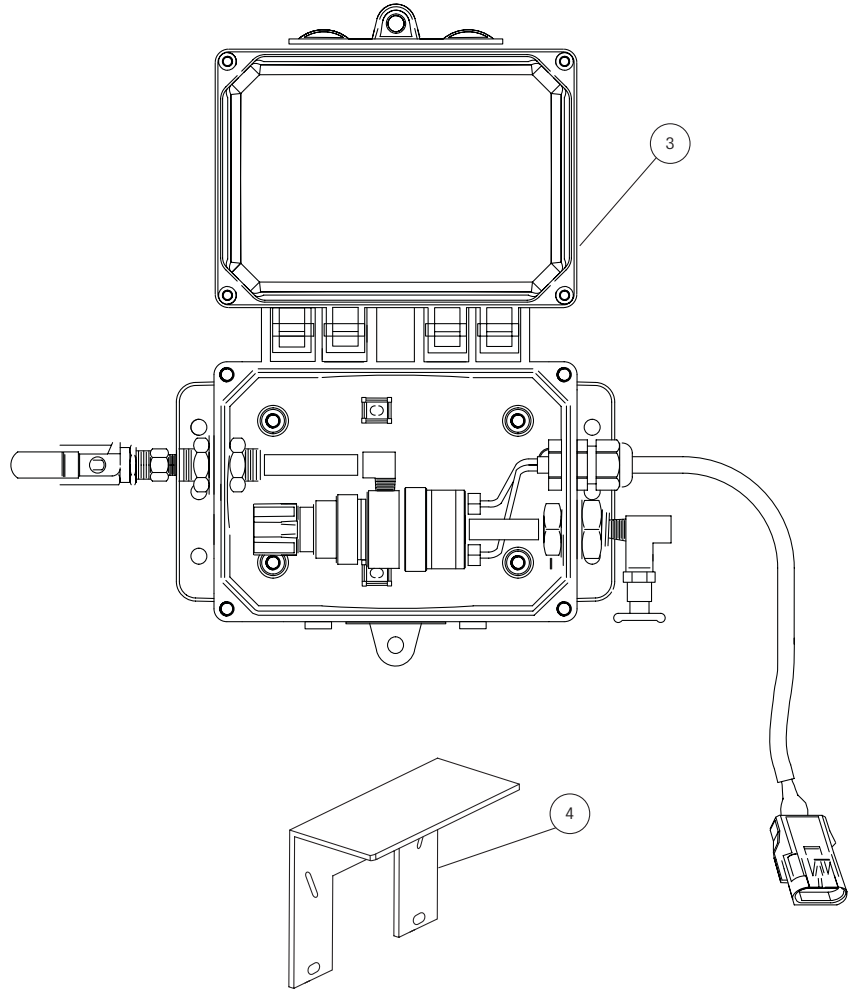
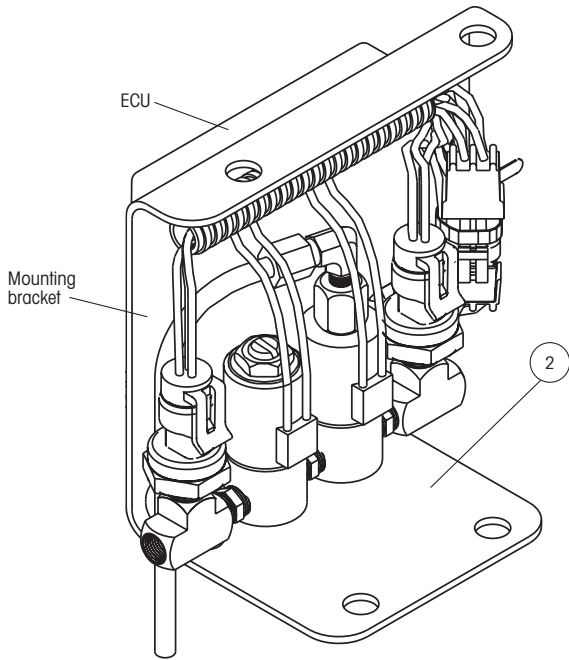
TABLE OF CONTENTS

CONTROLLERS	3
AXLE COMPONENTS	5
WHEEL COMPONENTS	7
TOOLS	7



EC CONTROLLER ASSEMBLY

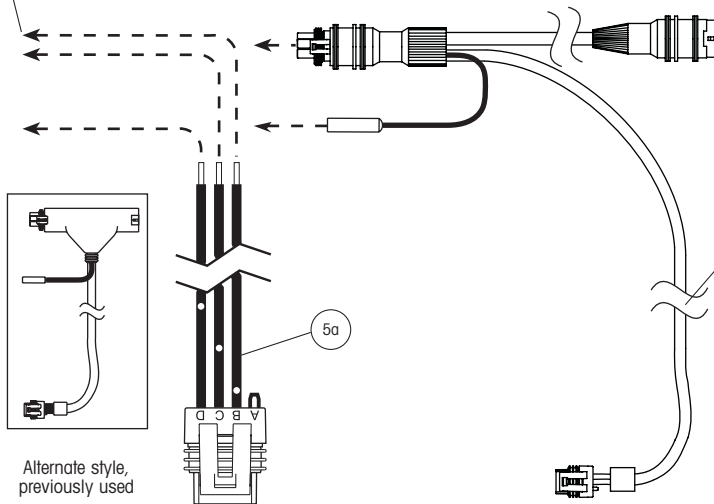
CP CONTROLLER ASSEMBLY



HARNESS

Standard, 18-inch long three-wire harness

15-foot long ABS junction harness





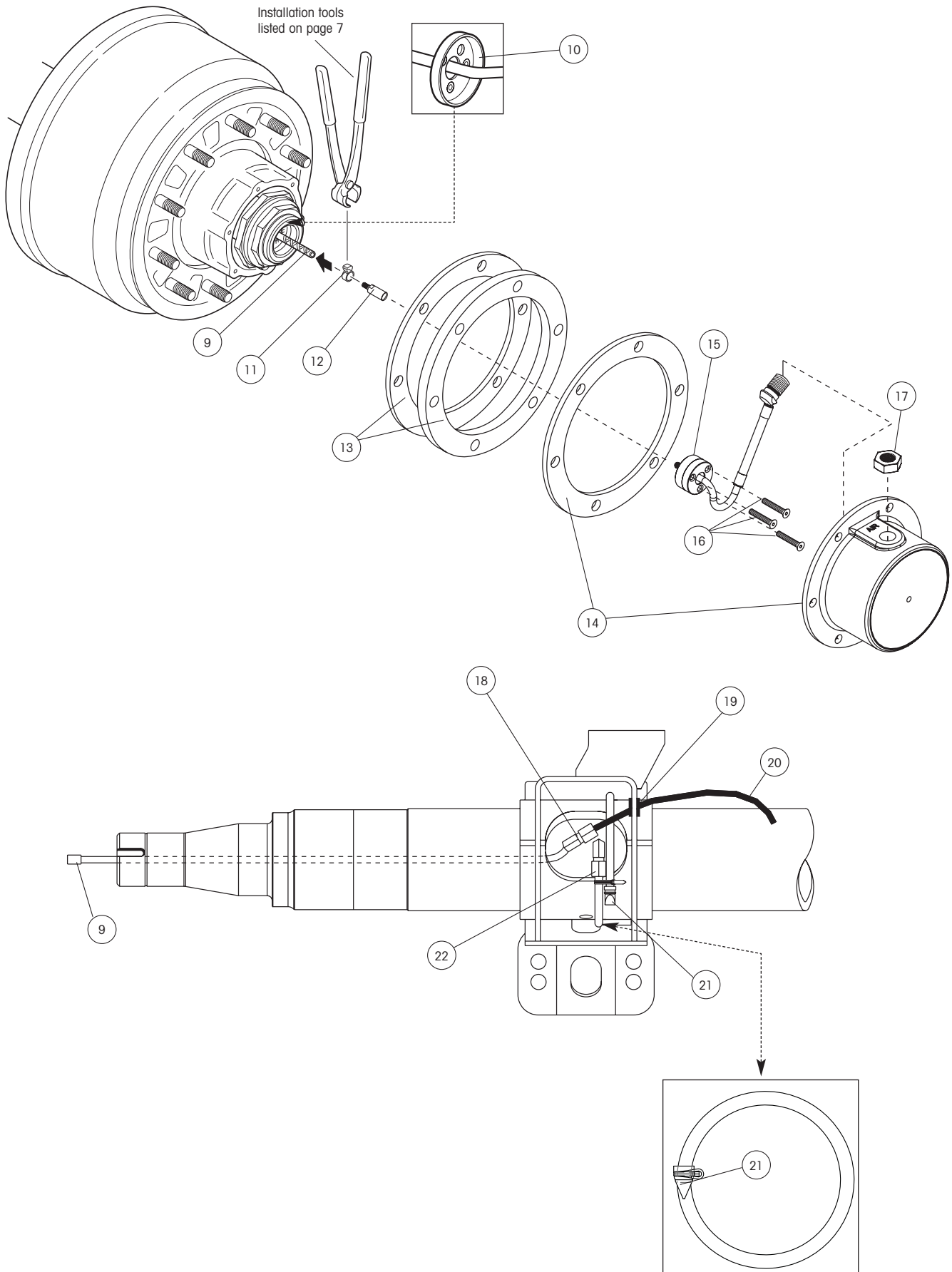
TIREMAAX® CONTROLLERS

ITEM	DESCRIPTION	QTY. PER TANDEM	NOTE
1	CONTROLLER KIT		
1a	EC Controller Kit (Electronic Control)	1	Includes preset EC controller assembly and EC three-wire harness Pressure settings range from 70 psi to 130 psi in increments of 5 Please note: -1 is for <i>Three Wire Harness</i> ; -2 is for <i>ABS Junction Harness</i>
1b	CP Controller Kit (Constant Pressure Controller) (Not Shown)	1	Includes preset CP controller assembly with CP wiring harness Pressure settings range from 70 psi to 120 psi in increments of 5 Please note: -1 is for <i>Three Wire Harness</i> ; -2 is for <i>ABS Junction Harness</i>

Example: EC Controller Kit Part Number VS-6100-EC-2 is 100 psi with ABS Junction Harness
CP Controller Kit Part Number VS-6100-CP-1 is 100 psi with Three-Wire Harness

ITEM	DESCRIPTION	PART NO.	QTY. PER TANDEM	NOTE
2	EC CONTROLLER ASSEMBLY (Electronic Control) Available as assembled unit only			*Pressure settings range from 70 to 130 psi in increments of 5
2a	EC Controller Assembly, 90 psi	S-28191-90	1	Programmed to 90 psi
2b	EC Controller Assembly, 95 psi	S-28191-95	1	Programmed to 95 psi
2c	EC Controller Assembly, 100 psi	S-28191-100	1	Programmed to 100 psi
2d	EC Controller Assembly, 105 psi	S-28191-105	1	Programmed to 105 psi
2e	EC Controller Assembly, XXX psi	S-28191-XXX*	1	Programmed to XXX psi
3	CP CONTROLLER ASSEMBLY (Constant Pressure) Available as assembled unit only			*Pressure settings range from 70 to 120 psi in increments of 5
3a	CP Controller Assembly, 90 psi	VS-29865-90	1	Programmed to 90 psi
3b	CP Controller Assembly, 95 psi	VS-29865-95	1	Programmed to 95 psi
3c	CP Controller Assembly, 100 psi	VS-29865-100	1	Programmed to 100 psi
3d	CP Controller Assembly, 105 psi	VS-29865-105	1	Programmed to 105 psi
3e	CP Controller Assembly, XXX psi	VS-29865-XXX*	1	Programmed to XXX psi
4	CP CONTROLLER ASSEMBLY MOUNTING BRACKET	VS-29859	1	
5	THREE-WIRE HARNESS			
5a	EC Model	VS-27771	1	18-inch; 4-way connector
5b	CP Model (Not Shown)	VS-29857	1	18-inch; 3-way connector
6	ABS JUNCTION HARNESS			
6a	EC Model	VS-28085	1	15-foot; 4-way connector
6b	CP Model (Not Shown)	VS-29420	1	15-foot; 3-way connector
7	TRAILER MOUNTED INDICATOR LAMP ASSEMBLY	VS-28059	1	Includes light assembly, gasket, ground wire and cable

TIREMAAX AXLE COMPONENTS

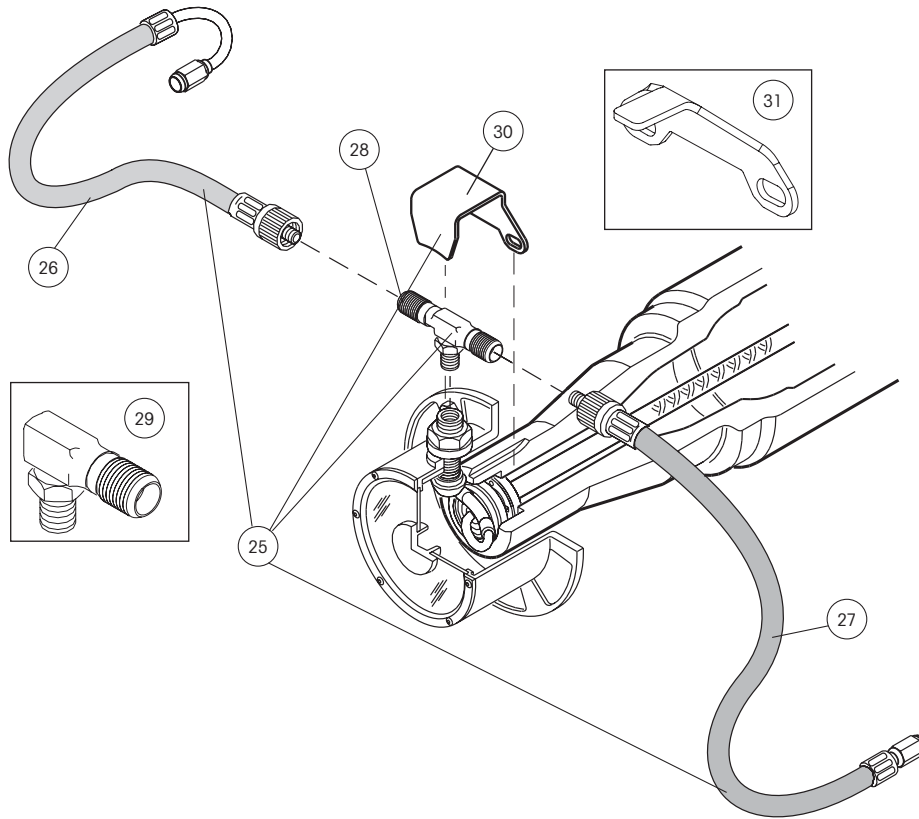




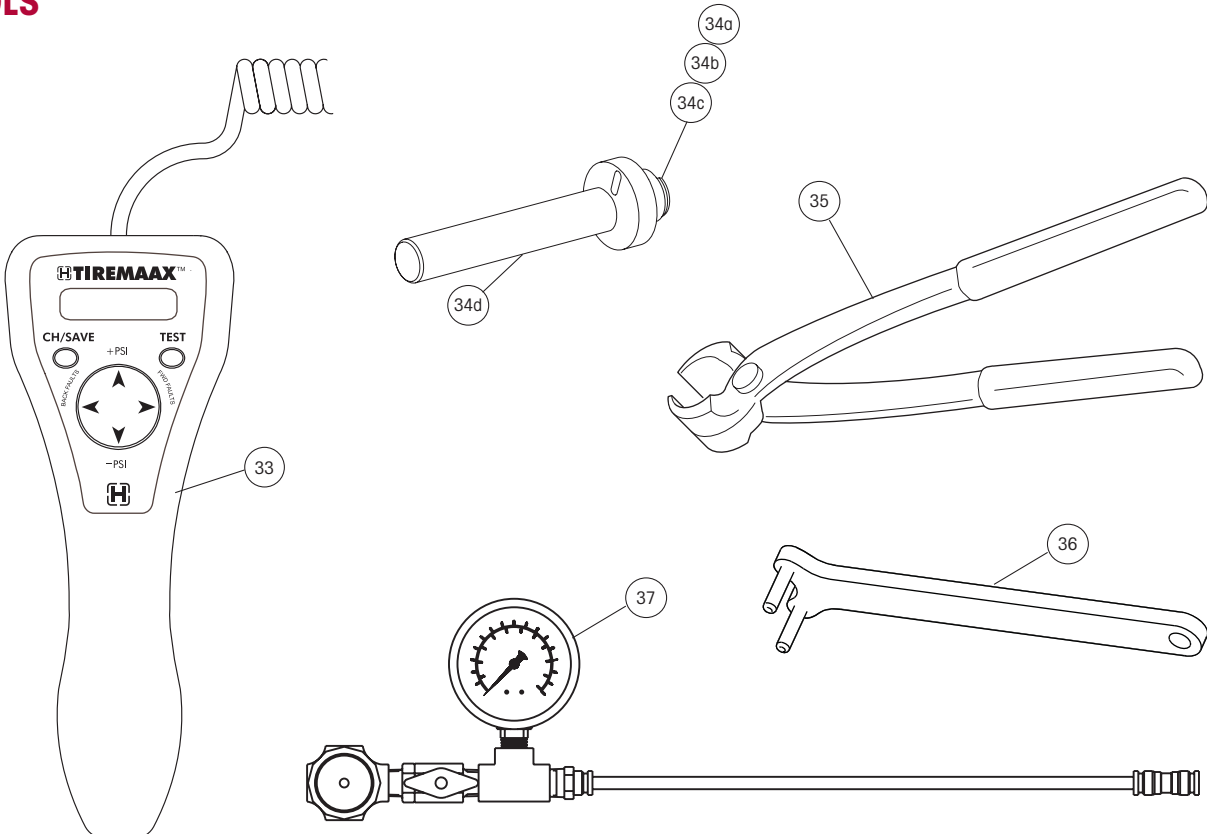
TIREMAAX AXLE COMPONENTS

ITEM	DESCRIPTION	PART NO.	QTY. PER TANDEM	NOTE
8	AXLE KIT (Individual Components Shown)			Includes items 9 through 10 and 14 through 24
8a	HN Spindle with Grease and Dual Dynamics Hubcap	VS-9001TM	2	
8b	HN Spindle with Oil and Dual Dynamics Hubcap	VS-9002TM	2	
8c	HP Spindle with Grease and Dual Dynamics Hubcap	VS-9005TM	2	
8d	HP Spindle with Oil and Dual Dynamics Hubcap	VS-9006TM	2	
8e	HUS® Spindle with HUS Hubcap	VS-9007TM	2	
9	AXLE HOSE			
9a	QUAANTUM™ / INTRAAX® / VANTRAAX®	A-29094-1	4	
9b	Trailer Axle	A-29094-2	4	
10	SPINDLE PLUG ASSEMBLY			
10a	HN - 1.75"	VS-27448	4	
10b	HP - 2.50"	VS-27839	4	
10c	HUS and HP - 2.75"	VS-27449	4	
11	AXLE HOSE CLAMP	A-26451	4	Not required with threaded axle hose
12	HOSE END ADAPTER	VS-28865	4	Axle hose fitting
13	HUBCAP SPACER KIT			
13a	HN	S-28040	2	Includes gasket and fasteners
13b	HP	S-28093	2	Includes gasket and fasteners
14	HUBCAP			
14a	HN with Grease	VS-29566-1	4	Bolt-on, includes gasket and fasteners
14b	HN with Oil	VS-29566-3	4	Bolt-on, includes gasket and fasteners
14c	HP with Grease	VS-29566-2	4	Bolt-on, includes gasket and fasteners
14d	HP with Oil	VS-29566-4	4	Bolt-on, includes gasket and fasteners
14e	HUS Screw-on	VS-29566-5	4	Screw-on, includes integrated o-ring
14f	HUS 6-bolt	VS-29566-2	4	Bolt-on, includes gasket and fasteners
14g	HUS 3-bolt	S-29227-2	4	Bolt-on, includes integrated o-ring
15	ROTARY UNION KITS			
15a	No Spindle Plug	S-28622	4	Includes (1) rotary union assembly, (2) hose clamps, (4) machine screws, and (1) hose end adapter
15b	HN Spindle Plug	S-28192	4	Includes (1) rotary union assembly, (1) 1.75" spindle plug, (2) hose clamps, (4) machine screws, (1) HN hubcap gasket and (1) hose end adapter
15c	HP and HUS Spindle Plug	S-28193	4	Includes (1) rotary union assembly, (1) 2.75" spindle plug, (2) hose clamps, (4) machine screws, (1) HP hubcap gasket, (1) HUS hubcap O-ring and (1) hose end adapter
16	COUNTERSUNK CAP SCREW	SA-8200-8	12	Order (3) per rotary union
17	JAM NUT	A-26487	4	
18	AIR LINE FITTING - 1/4" TUBE	SA-4300-8	4	
19	GROMMET	A-23738	4	
20	AIR LINE TUBE, NYLON	SA-6400-2	4	
21	AXLE VENT KIT W/ DUCK BILL CHECK	VS-27378	4	

WHEEL COMPONENTS



TOOLS





ITEM	DESCRIPTION	PART NO.	QTY. PER TANDEM	NOTE
22	AIR LINE FITTING - 3/8" TUBE	SA-4300-15	4	
23	AXLE FILTER (Not Shown)	A-24217	4	
24	NYLON TIE (Not Shown)	A-11430-3	4	

WHEEL COMPONENTS

ITEM	DESCRIPTION	PART NO.	QTY. PER TANDEM	NOTE
25	WHEEL KIT (Individual Components Shown)			
	25a Dual Wheels, Tire Size Greater than 19.5"	VS-8001TM		Includes (2) straight tire hose assemblies, (2) 180-degree tire hose assemblies, (2) tee fittings, (2) tee fitting guards and (2) jam nuts
	25b Dual Wheels, Tire Size 17" - 19.5"	VS-8002TM		Same as above
	25c Super Single Tires 22.5"	VS-8003TM		Includes (2) straight tire hose assemblies, (2) 90-degree elbow fittings, (2) tee fitting guards and (2) jam nuts
26	TIRE HOSE ASSEMBLY - 180-DEGREE¹			Includes braided hose with fittings
	26a Tire Hose Assembly 11.5"	VS-29004-1	4	Dual tire size 17" to 19.5"
	26b Tire Hose Assembly 15"	VS-29004-2	4	Dual tire size greater than 19.5"
27	TIRE HOSE ASSEMBLY - Straight¹			Includes braided hose with fittings
	27a Tire Hose Assembly 16.5"	VS-29003-1	4	Dual tire size 17" to 19.5" and super single 22.5"
	27b Tire Hose Assembly 18"	VS-29003-2	4	Dual tire size greater than 19.5"
28	TEE FITTING			
	28a Tee Fitting for Dual Tire Configuration (EC Only)	VS-27935	4	Dual tire, EC Only
	28b Tee Fitting for Dual Tires (CP Only)	VS-29854	4	Dual tire, CP Only
29	90-DEGREE ELBOW FITTING			
	29a 90-degree Elbow Fitting for Single Tire Configuration (EC Only)	VS-28764	4	Super single tires, EC Only
	29b 90-degree Elbow Fitting for Single Tires (CP Only)	VS-30002	4	Super single tires, CP Only
30	TEE FITTING GUARD for HN and HP	VS-27890	4	Not compatible with HUS
31	TEE FITTING GUARD for HUS® Bolt-On Hubcap			
	31a 6-bolt Hubcap	S-28914	4	
	31b 3-bolt Hubcap	S-29147	4	
32	SPIRAL HOSE GUARD (Not Shown)	S-28121-6	8	

TOOLS

ITEM	DESCRIPTION	PART NO.	QTY.	NOTE
33	HAND PROGRAMMER	VS-28321	1	TIREMAAX EC version only
34	PLUG DRIVER			
	34a HN (1.75")	S-28146-1	1	
	34b HP (2.50")	S-28146-2	1	
	34c HP and HUS (2.75")	S-28146-3	1	
	34d Driver Handle	S-27399	1	
35	CRIMPING TOOL			
	35a Standard for Field Repair	S-27400	1	
	35b With Ratcheting for OEM Use	S-29050	1	
36	SPANNER WRENCH	S-29430	1	
37	PRESSURE TESTER (FOR EC CONTROLLER)	VS-28707	1	

¹ Order Hose Guard separately (Item #32)

www.hendrickson-intl.com



Trailer Suspension Systems
250 Chrysler Drive, Unit #3
Brampton, ON Canada L6S 6B6
905.789.1030
Fax 905.789.1033

Trailer Suspension Systems 866.RIDEAIR (743.3247)
2070 Industrial Place SE 330.489.0045
Canton, OH 44707-2641 USA Fax 800.696.4416

Trailer Suspension Systems
Av. Industria Automotriz #200
Parque Industrial Sliva Aeropuerto
Apodaca, N.L., México C.P. 66600
(52) 81 8288 1300
Fax (52) 81 8288 1301